

# 1000 series

## Toggle switches - metal lever - economy range

*Distinctive features and specifications*



- Butt action contacts
- Optional insulated levers (X213 and X490)

### ELECTRICAL SPECIFICATIONS

- Max. current/voltage rating with resistive load :
  - silver contacts (A) : 6A 30VDC
  - silver plated copper contacts (C) : 1A 30VDC
- Initial contact resistance : 10 mΩ max.
- Insulation resistance : 1.000 MΩ min. at 500VDC
- Dielectric strength :
  - 2.000 Vrms 50 Hz min. between terminals
  - 2.500 Vrms 50 Hz min. between terminals and frame
- Electrical life : 10.000 cycles at full load

### MATERIALS

- Case :
  - function 1 : phenolic resin
  - funct. 6 & 9 : polyamide
- Actuator :
  - brass, nickel plated (1010 and 1020 models)
  - polyamide (1030 models)
- Bushing : brass, nickel plated
- Contacts :
  - A : silver
  - C : copper, silver plated

### GENERAL SPECIFICATIONS

- Torque : 1,50 Nm (1.10 Ft.lb) max. applied to nut
- Panel thickness : 5 mm (.196) max.
- Operating temperature : -20°C to +55°C

### ABOUT THIS SERIES

**Dimensions** : first dimensions are in mm while inches are shown as bracketed numbers.



**Sealing boots** are available to protect the switches against dust and water. They are presented in section H.



**Mounting accessories** : standard hardware supplied :

- silver contact models : 1 hex nut U166 + 1 knurled nut U411
- copper contact models : 1 hex nut U42 + 1 knurled nut U411



**Packaging unit** : 25 or 40 pieces depending on model.

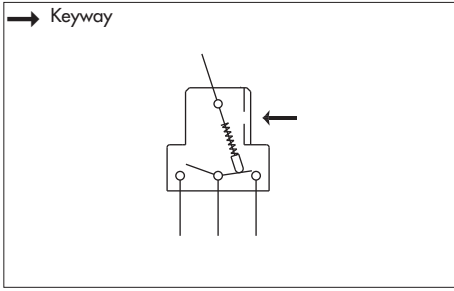
# 1000 series

Toggle switches - metal lever - economy range

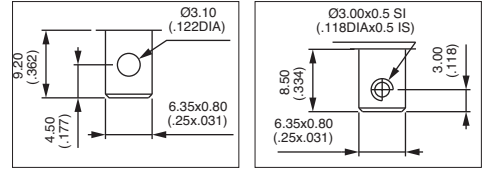
Solder lug and quick-connect terminals - screw terminals



A



- 2 and 3 positions
- Single pole configurations



MODEL STRUCTURE

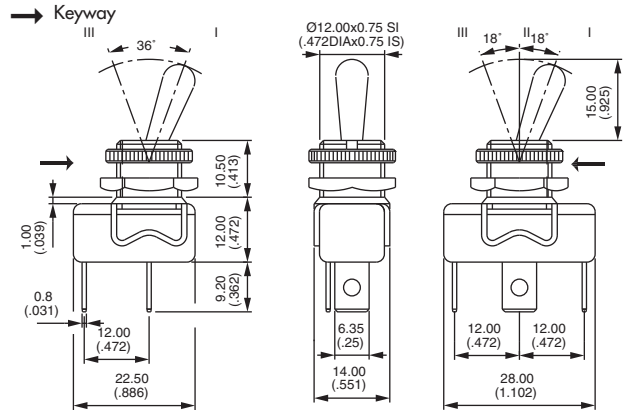


## Solder lug and quick-connect terminals



1011  
1016  
1019

I	II	III
ON	-	OFF
ON	-	ON
ON	OFF	ON

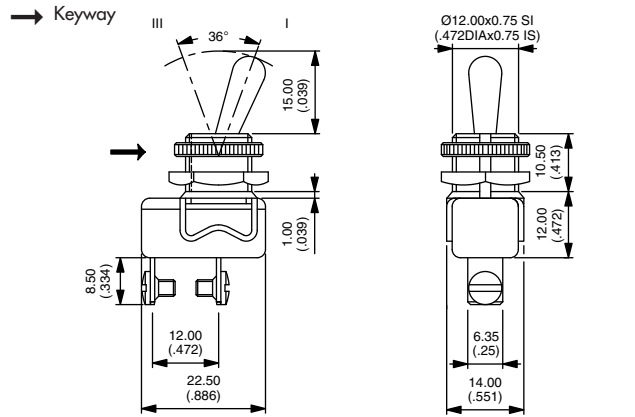


## Screw terminals

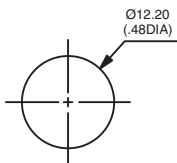


1021

I	II	III
ON	-	OFF



## PANEL CUT-OUT



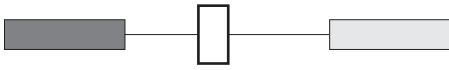


# 1000 series

Toggle switches - metal lever - economy range

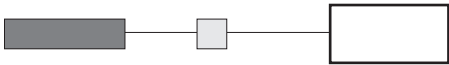
Solder lug and quick-connect terminals - screw terminals

## CONTACT MATERIALS




- A Silver
- C Copper, silver plated

## SPECIAL OPTIONS WITH INSULATED LEVER



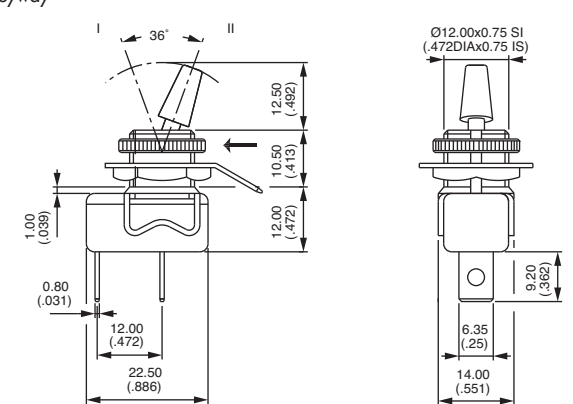
**X213** Silver plated copper contacts (C)



**1031CX213**


I	II
OFF	ON

→ Keyway



Ground connector **U187** compulsory if the panel is not metallic or not connected to ground.  
Order separately, see section I.

**X490** Available with silver contacts (A) or silver plated copper contacts (C)



**1036 X490**  
**1039 X490**

I	II	III
ON	- OFF	ON

→ Keyway

