

IP series

Pushbutton switches for harsh environments - bushing Ø 12 mm - momentary

Distinctive features and specifications



- Illuminated or non-illuminated
- Tactile feedback
- Wide variety of configurations
- Flat round actuator for optional marking
- Sealed to IP67

ENVIRONMENTAL SPECIFICATIONS

- Front panel sealing : IP67 according to IEC 60529
IP69K according to DIN 40050-9 (non-illuminated) with cap U5125
- Shock resistance : 100 g according to IEC 512-4, test 6c
- Vibration resistance : 10-500Hz - 10 g according to IEC 512-4, test 6d
- Salt spray : IEC 512-6, test 11f
- Robustness (non-illuminated) : IK06 according to EN 50102 (1 joule)
- Operating temperature : -40°C to +85°C

ELECTRICAL SPECIFICATIONS

- Max. current/voltage rating with resistive load (gold plated silver contacts):
5A 28VDC, 70.000 cycles
0,2A 48VDC, 500.000 cycles
0,5A 48VAC, 500.000 cycles
- Initial contact resistance : 100 mΩ max.
- Insulation resistance : 1 GΩ min. at 500VDC
- Dielectric strength : 1.500 Vrms
- Contact bounce : 10 ms

LED COMPONENT SPECIFICATIONS

| LED colour | Forward current | Typ. forward voltage | Max. forward voltage |
|-----------------|-----------------|----------------------|----------------------|
| Super red (LOS) | 20mA | 2,1V | 2,3V |
| Yellow (LOY) | 20mA | 2,1V | 2,3V |
| Green (LOG) | 20mA | 2,1V | 2,3V |
| Blue (LOB) | 20mA | 3,2V | 3,8V |
| White (LOW) | 20mA | 3,35V | 4,25V |

A resistor must be series-connected by the user.
Resistor value = $\frac{\text{supply voltage} - \text{LED forward voltage}}{\text{LED forward current}}$

GENERAL SPECIFICATIONS

- Panel thickness : 1,5 mm (.059) min.
4 mm (.157 max.)
- Total travel :
Funct. 3 : 1,7 mm (.067) +/- 0,3 mm
Funct. 5 : 1,3 mm (.051) +/- 0,3 mm
- Typical operating force : 6N +/- 2N
- Mechanical life : 1.000.000 cycles
- Torque : 1,5 Nm max. applied to nut
- Soldering : 320°C max. for 3 sec.

MATERIALS

- Case : thermoplastic UL94-V0
- Actuator : polyamide 6/6
- Bushing/bezel : zinc die-cast (zamac), black painted
- Contacts : silver, gold plated (std) brass, gold plated (for option 104)
- Multi-wire lead AWG20, section 0,6 mm²
- LED wire : AWG26, section 0,12 mm²
- Lens : polycarbonate
- Terminal seal : epoxy

AGENCY APPROVAL



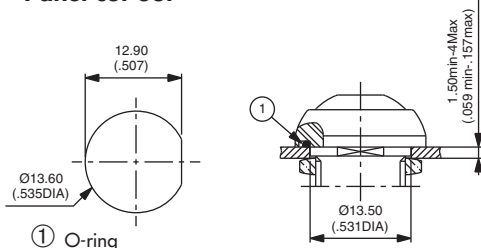
2A 125VAC/250VAC
File E83438

Availability : consult factory for details of approved models.

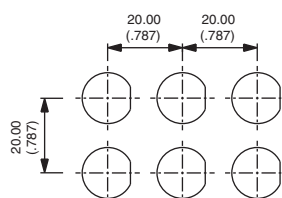
Marking : to order switches marked UL, complete ordering format.

MOUNTING

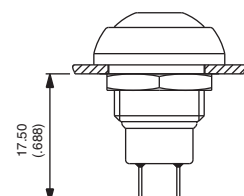
Panel cut-out



Matrix mounting



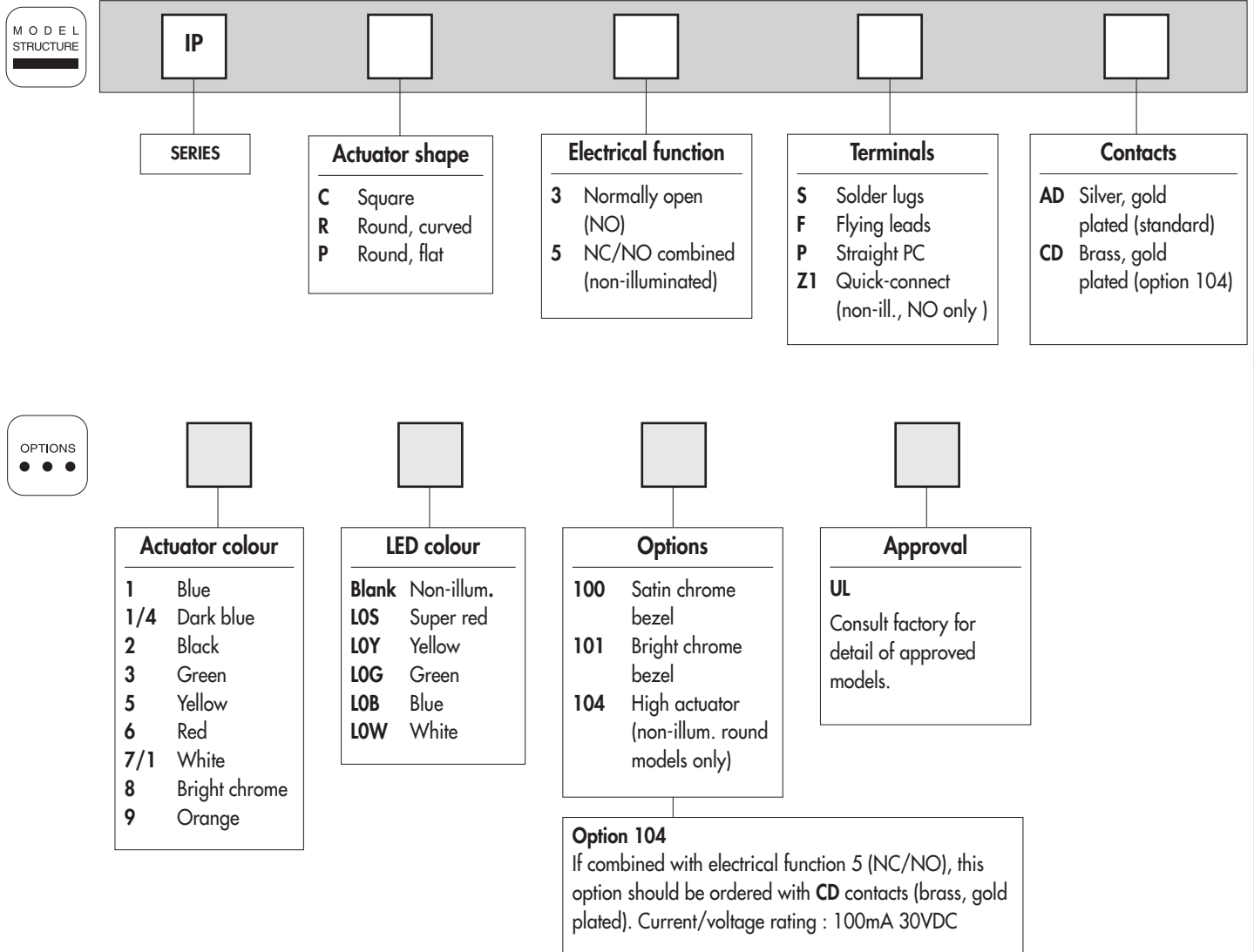
Back of panel space requirement



IP series

Pushbutton switches for harsh environments - bushing \varnothing 12 mm - momentary

Overview



ABOUT THIS SERIES

On the following pages, you will find successively :
 model structure of switches and options in the same order as in above chart

Dimensions : first dimensions are in mm while inches are shown as bracketted numbers.



NOTICE : please note that not all combinations of above numbers are available. Refer to the following pages for further information.



A sealing boot is available to protect the switches against frost and sand. It is presented after the IA series and in section H.



Mounting accessories : Standard hardware supplied : 1 hex nut 14 mm (.551) across flats and 1 O-ring. Hex nut part number U166.

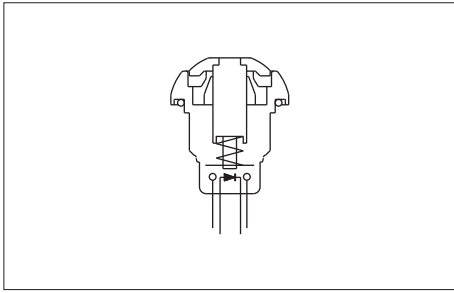


Packaging unit : 25 pieces

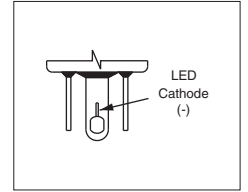
IP series

Pushbutton switches for harsh environments - bushing \varnothing 12 mm - momentary

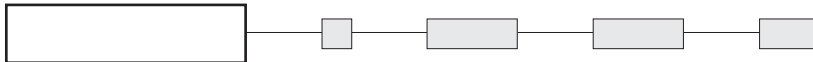
Square - illuminated



- High brightness illumination
- Five LED colours
- Tin plated LED terminals



MODEL STRUCTURE



B

Solder lug terminals

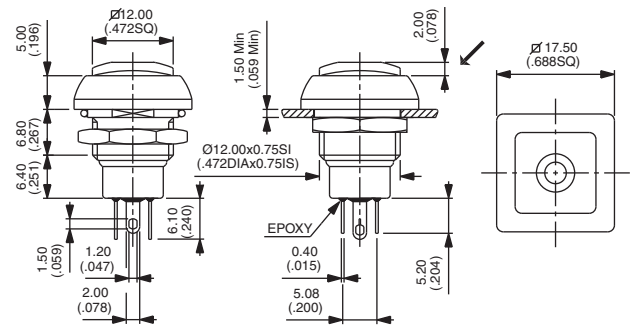


IPC3SAD



Normally Open

→ Flat



Also available with straight PC terminals : **IPC3PAD**
LED colour is indicated by the bottom of the switch.

Sealed flying lead terminals

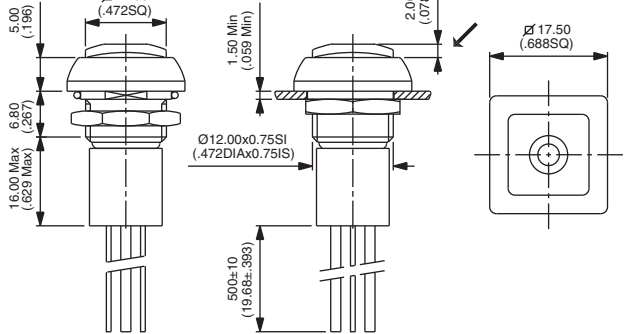


IPC3FAD



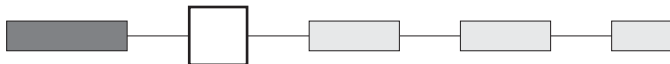
Normally Open

→ Flat



Wire colours : black : NO contact, red : LED anode(+), blue : LED cathode(-)

ACTUATOR COLOUR



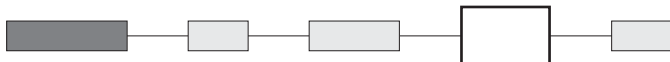
1 : blue - 1/4 : dark blue - 2 : black - 3 : green - 5 : yellow
6 : red - 7/1 : white - 8 : bright chrome - 9 : orange

LED COLOUR



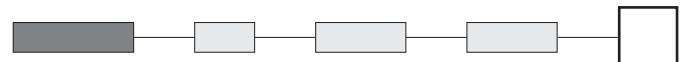
LOS : red - LOY : yellow - LOG : green - LOB : blue
LOW : white

OPTIONS



100 : Satin chrome bezel
101 : Bright chrome bezel

APPROVAL

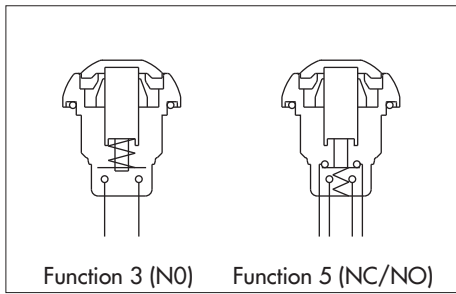


UL
Consult factory for details of approved models. To order switches marked UL, complete above box with "UL".

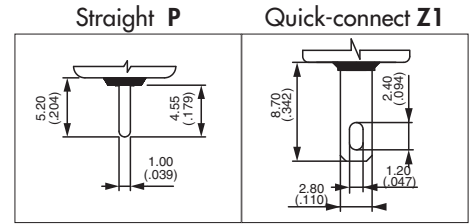
IP series

Pushbutton switches for harsh environments - bushing \varnothing 12 mm - momentary

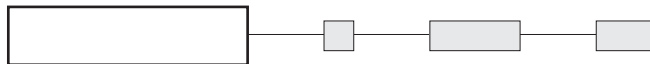
Square - non-illuminated



- Double function (NC/NO combined) with a short behind-panel depth



MODEL STRUCTURE



Solder lug terminals



IPC3SAD



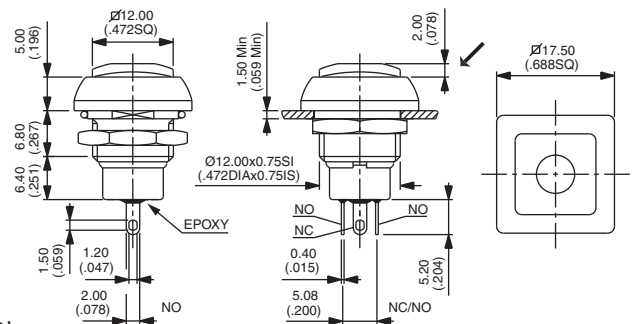
Normally Open

IPC5SAD



NC/NO combined

→ Flat



Also available with straight PC terminals : **IPC3PAD** (NO) or **IPC5PAD** (NC/NO) and quick-connect terminals : **IPC3Z1AD** (NO only)

Sealed flying lead terminals



IPC3FAD



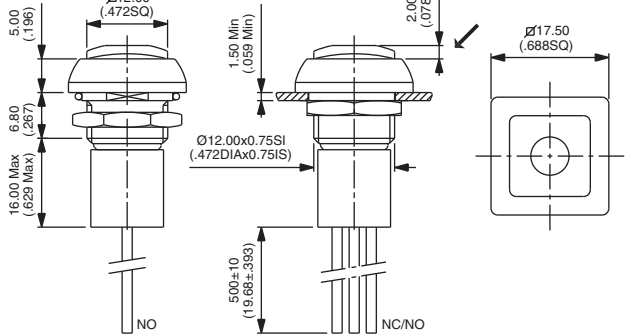
Normally Open

IPC5FAD



NC/NO combined

→ Flat



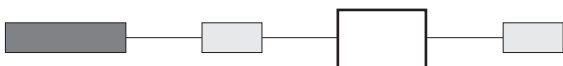
Wire colours (NC/NO) : black : NO, blue : NC

ACTUATOR COLOUR



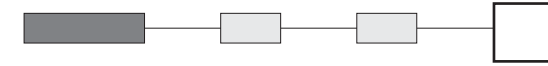
1 : blue - 1/4 : dark blue - 2 : black - 3 : green - 5 : yellow - 6 : red - 7/1 : white - 8 : bright chrome - 9 : orange

OPTIONS



100 : Satin chrome bezel
101 : Bright chrome bezel

APPROVAL



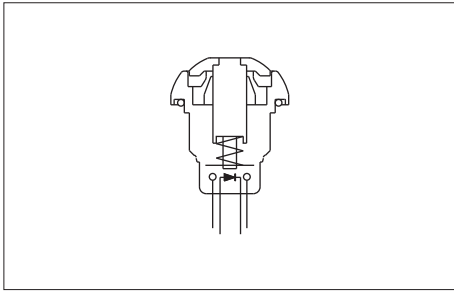
UL

Consult factory for details of approved models. To order switches marked UL, complete above box with "UL".

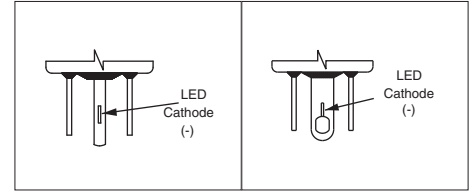
IP series

Pushbutton switches for harsh environments - bushing \varnothing 12 mm - momentary

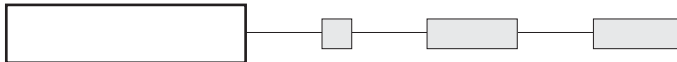
Round - illuminated



- High brightness illumination
- Five LED colours
- Tin plated LED terminals



MODEL STRUCTURE



B

Solder lug terminals

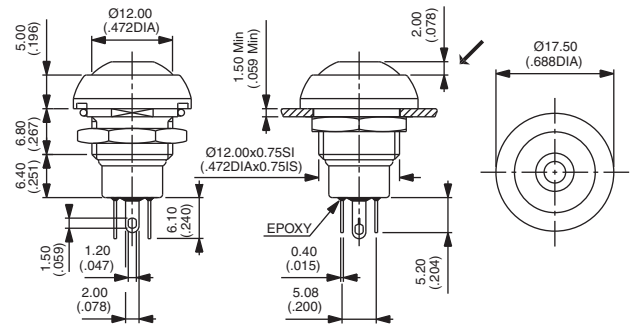


IPR3SAD



Normally Open

→ Flat



Also available with straight PC terminals : IPR3PAD
LED colour is indicated by the bottom of the switch.

Sealed flying lead terminals

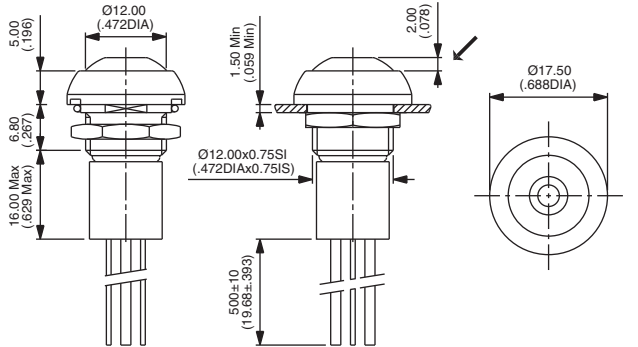


IPR3FAD



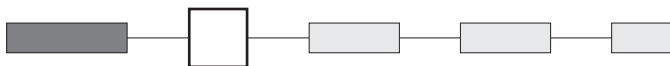
Normally Open

→ Flat



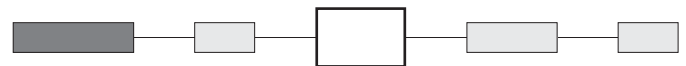
Wire colours : black : NO contact, red : LED anode(+), blue : LED cathode(-)

ACTUATOR COLOUR



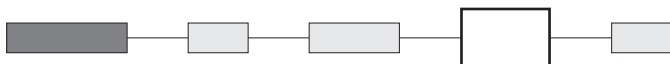
1 : blue - 1/4 : dark blue - 2 : black - 3 : green - 5 : yellow
6 : red - 7/1 : white - 8 : bright chrome - 9 : orange

LED COLOUR



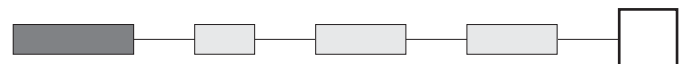
LOS : red - LOY : yellow - LOG : green - LOB : blue
LOW : white

OPTIONS



100 : Satin chrome bezel
101 : Bright chrome bezel

APPROVAL



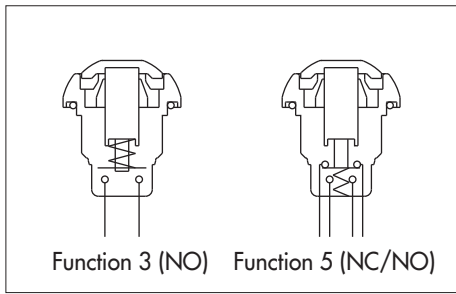
UL

Consult factory for details of approved models. To order switches marked UL, complete above box with "UL".

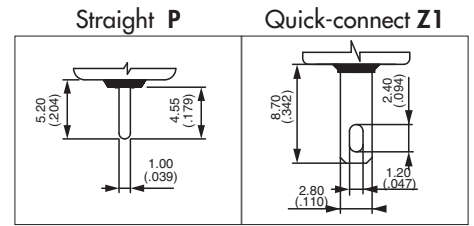
IP series

Pushbutton switches for harsh environments - bushing $\varnothing 12$ mm - momentary

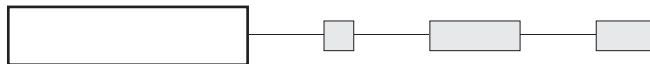
Round - non-illuminated



- Double function (NC/NO combined) with a short behind-panel depth



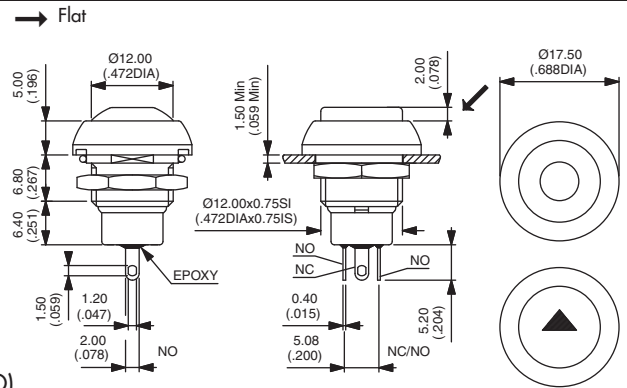
MODEL STRUCTURE



Solder lug terminals



- Curved actuator, NO
IPR3SAD
- Curved actuator, NC/NO
IPR5SAD
- Flat actuator, NO
IPP3SAD
- Flat actuator, NC/NO
IPP5SAD

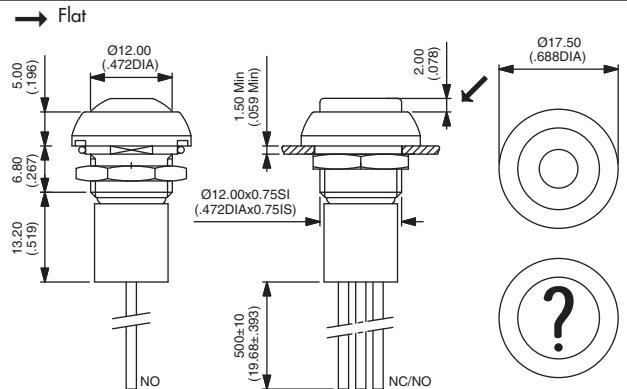


Also available with straight PC terminals : **IP•3PAD** (NO) or **IP•5PAD** (NC/NO) and quick-connect terminals : **IP•3Z1AD** (NO only)

Sealed flying lead terminals

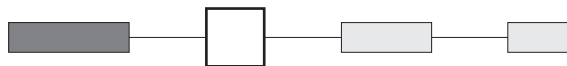


- Curved actuator, NO
IPR3FAD
- Curved actuator, NC/NO
IPR5FAD
- Flat actuator, NO
IPP3FAD
- Flat actuator, NC/NO
IPP5FAD



Wire colours (NC/NO) : black : NO, blue : NC

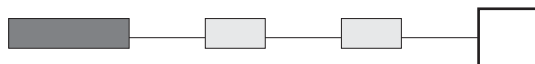
ACTUATOR COLOUR



1 : blue - 1/4 : dark blue - 2 : black - 3 : green - 5 : yellow
6 : red - 7/1 : white - 8 : bright chrome - 9 : orange

Actuator marking available on IPP models (symbol 10 mm max.).
On request.

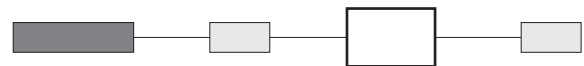
APPROVAL



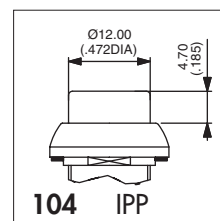
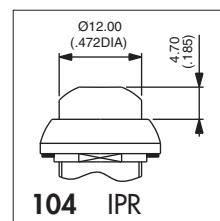
UL

Consult factory for details of approved models. To order switches marked UL, complete above box with "UL".

OPTIONS



- 100 : Satin chrome bezel
- 101 : Bright chrome bezel
- 104 : High actuator - If combined with function 5 (NC/NO), order with CD contacts (instead of AD contacts).



IP series

Pushbutton switches for harsh environments - bushing Ø 12 mm - latching

Distinctive features and specifications



- Latching action**
Actuator remains in the low position when "ON".
- Illuminated or non-illuminated**
- Compact**
Behind-panel depth less than 20 mm (.787)
- Flat round actuator for optional marking**
- Sealed to IP67**

ENVIRONMENTAL SPECIFICATIONS

- Front panel sealing : IP67 according to IEC 60529
- Shock resistance : 100 g according to IEC 512-4, test 6c
- Vibration resistance : 10-500Hz - 10 g according to IEC 512-4, test 6d
- Salt spray : IEC 512-6, test 11f
- Robustness (non-illuminated) : IK06 according to EN 50102 (1 joule)
- Operating temperature : -40°C to +85°C

ELECTRICAL SPECIFICATIONS

- Max. current/voltage rating with resistive load :
4A 12VDC, 200.000 cycles
1A 48VDC, 200.000 cycles
2A 48VDC, 100.000 cycles
3A 48VDC, 75.000 cycles
1A 72VDC, 15.000 cycles
- Initial contact resistance : 100 mΩ max.
- Insulation resistance : 1 GΩ min. at 500VDC
- Dielectric strength : 1.500 Vrms between terminals
1.000 VAC rms between terminals and frame

LED COMPONENT SPECIFICATIONS

| LED colour | Forward current | Typ. forward voltage | Max. forward voltage |
|-----------------|-----------------|----------------------|----------------------|
| Super red (LOS) | 20mA | 1,95V | 1,95V |
| Yellow (LOY) | 20mA | 2V | 2,05V |
| Green (LOG) | 20mA | 3,2V | 3,70V |
| Blue (LOB) | 20mA | 3,2V | 4V |

A resistor must be series-connected by the user.
Resistor value = $\frac{\text{supply voltage} - \text{LED forward voltage}}{\text{LED forward current}}$

GENERAL SPECIFICATIONS

- Panel thickness : 1,5 mm (.059) min.
5,5 mm (.217) max.
- Total travel : 2,5 mm (.098) +/- 0,3 mm
- Typical operating force : 5 N +/- 2N
- Mechanical life : 200.000 cycles
- Torque : 1,5 Nm max. applied to nut
- Soldering : 320°C max. for 3 sec.

MATERIALS

- Case : thermoplastic, UL 94-V0
- Actuator : polyamide 6/6
- Bushing/bezel : zinc die-cast (zamak), black painted
- Contacts : silver, gold plated
- Multi-wire lead AWG20, section 0,6 mm²
- LED wire : AWG26, section 0,12 mm²
- Lens : polycarbonate
- Terminal seal : epoxy

AGENCY APPROVAL



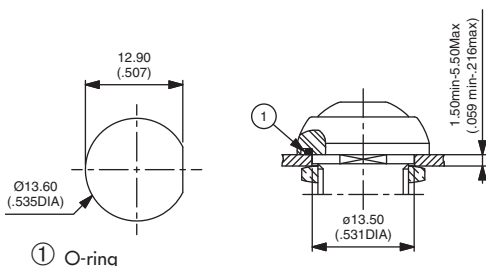
2A 125VAC/250VAC
File E83438

Availability : consult factory for details of approved models.

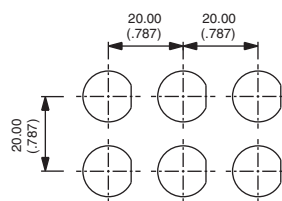
Marking : to order switches marked UL, complete appropriate box of ordering format.

MOUNTING

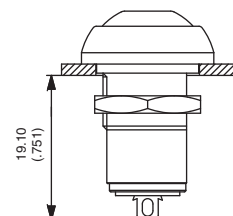
Panel cut-out



Matrix mounting



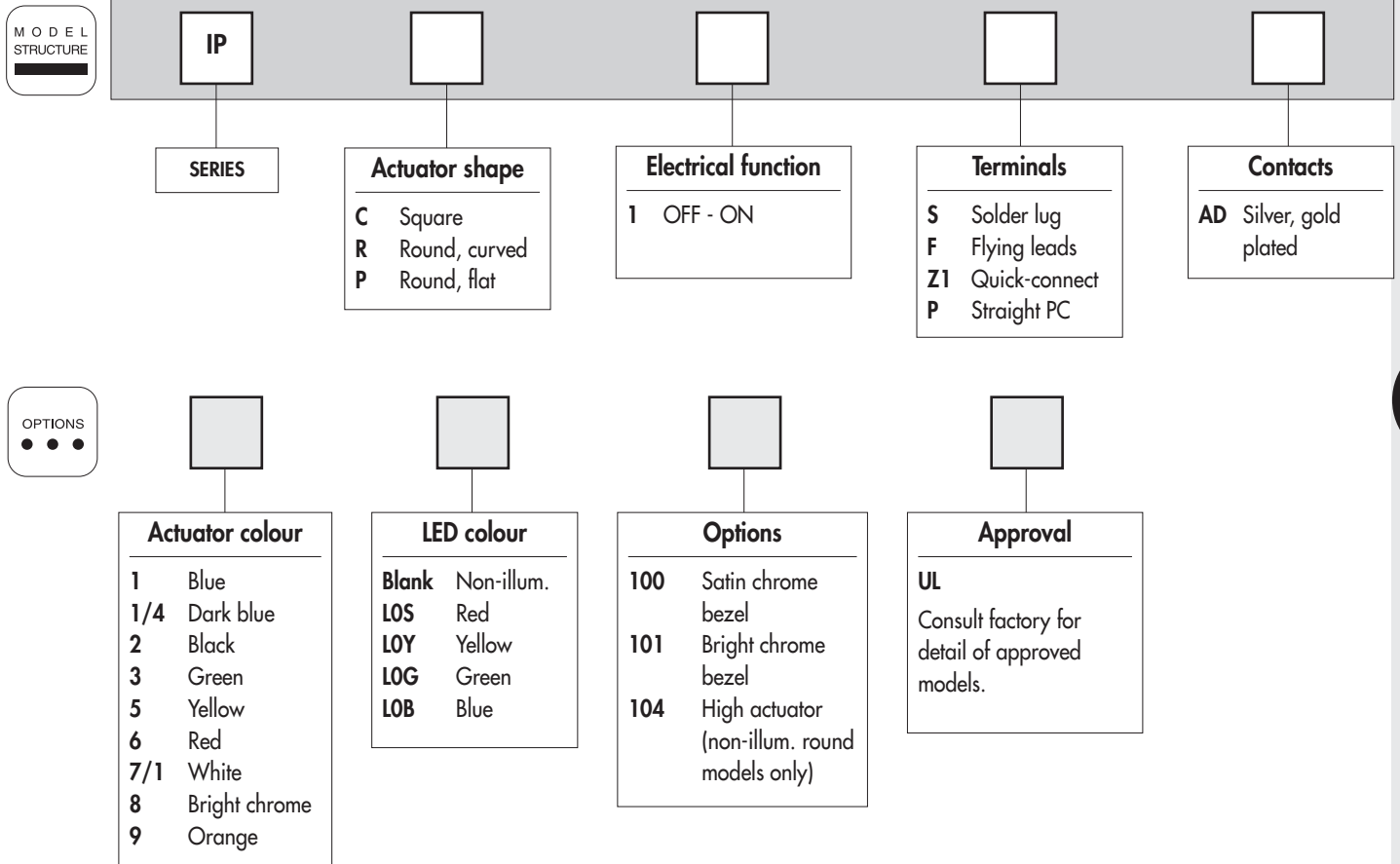
Back of panel space requirement



IP series

Pushbutton switches for harsh environments - bushing Ø 12 mm - latching

Overview



ABOUT THIS SERIES

On the following pages, you will find successively :
model structure of switches and options in the same order as in above chart

Dimensions : first dimensions are in mm while inches are shown as bracketted numbers.



NOTICE : please note that not all combinations of above numbers are available. Refer to the following pages for further information.



A sealing boot is available to protect the switches against frost and sand (P/N U5125). It is presented after the IA series and in section H.



Mounting accessories : Standard hardware supplied : 1 hex nut 14 mm (.551) across flats and 1 O-Ring.

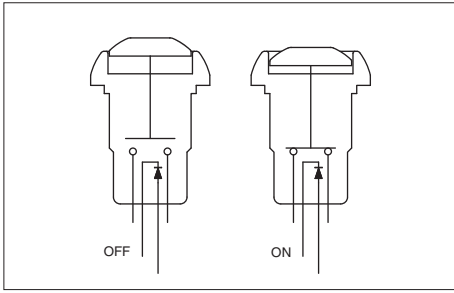


Packaging unit : 25 pieces

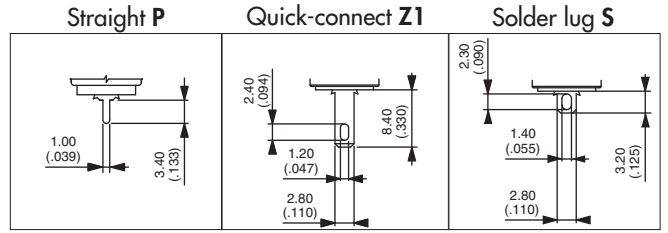
IP series

Pushbutton switches for harsh environments - bushing \varnothing 12 mm - latching

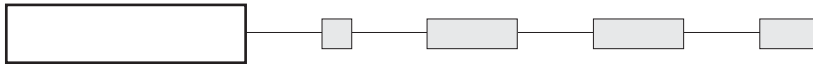
Square or round - illuminated



- Four LED colours
- Tin plated LED terminals



MODEL STRUCTURE



B

Square models

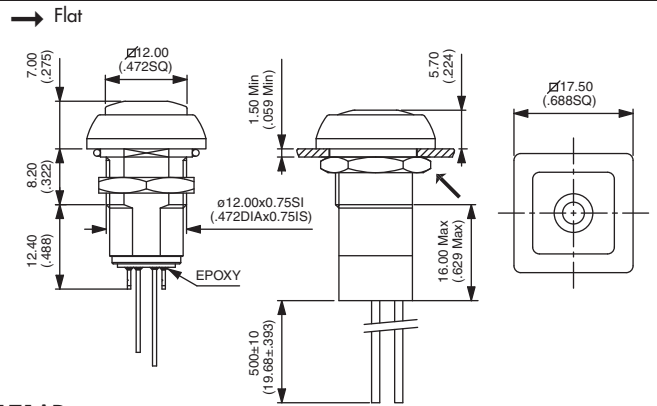


Solder lug terminals
IPC1SAD

OFF - ON

Flying lead terminals
IPC1FAD

OFF - ON



Also available with straight PC : **IPC1PAD** or quick-connect terminals : **IPC1Z1AD**

Round models

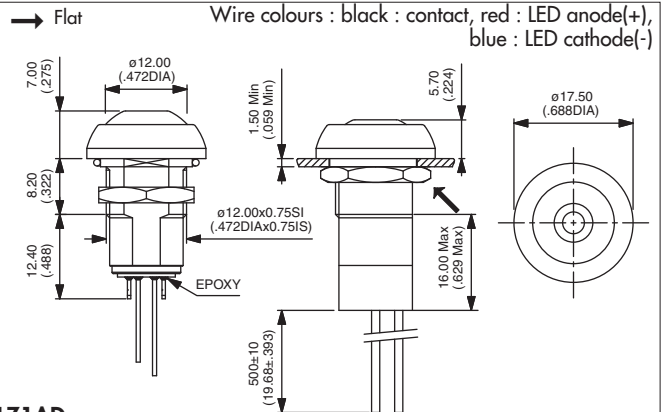


Solder lug terminals
IPR1SAD

OFF - ON

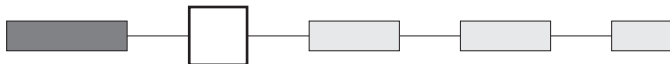
Flying lead terminals
IPR1FAD

OFF - ON



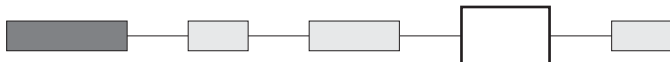
Also available with straight PC : **IPR1PAD** or quick-connect terminals : **IPR1Z1AD**

ACTUATOR COLOUR



1 : blue - 1/4 : dark blue - 2 : black - 3 : green - 5 : yellow
6 : red - 7/1 : white - 8 : bright chrome - 9 : orange

OPTIONS



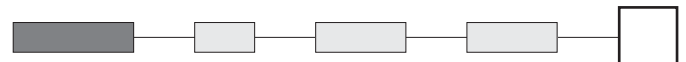
100 : Satin chrome bezel
101 : Bright chrome bezel

LED COLOUR



LOS : red - LOY : yellow - LOG : green - LOB : blue

APPROVAL



UL

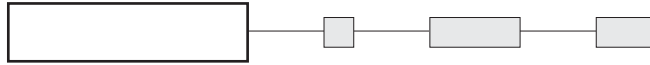
Consult factory for details of approved models. To order switches marked UL, complete above box with "UL".

IP series

Pushbutton switches for harsh environments - bushing \varnothing 12 mm - latching

Square or round - non-illuminated

MODEL STRUCTURE



Square models



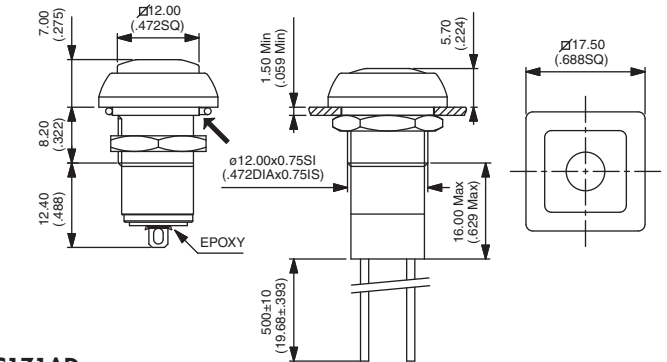
Solder lug terminals
IPC1SAD

OFF - ON

Flying lead terminals
IPC1FAD

OFF - ON

→ Flat



Also available with straight PC : **IPC1PAD** or quick-connect terminals : **IPC1Z1AD**

Round models



CURVED ACTUATOR

Solder lug terminals
IPR1SAD

OFF - ON

Flying lead terminals
IPR1FAD

OFF - ON

FLAT ACTUATOR

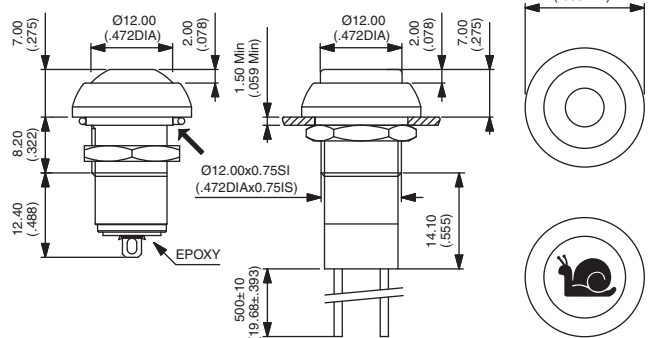
Solder lug terminals
IPP1SAD

OFF - ON

Flying lead terminals
IPP1FAD

OFF - ON

→ Flat



Also available with straight PC : **IP•1PAD** or quick-connect terminals : **IP•1Z1AD**

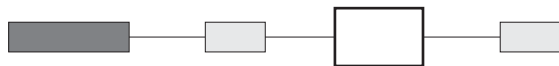
ACTUATOR COLOUR

Actuator marking available on IPP models (symbol 10 mm max.). On request.

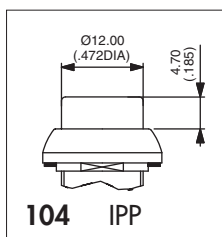
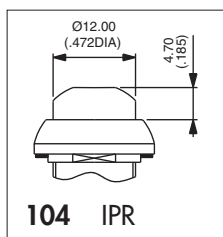


1 : blue - 1/4 : dark blue - 2 : black - 3 : green - 5 : yellow - 6 : red - 7/1 : white - 8 : bright chrome - 9 : orange

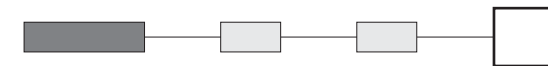
OPTIONS



100 : Satin chrome bezel
101 : Bright chrome bezel
104 : High actuator (for round model only)



APPROVAL



UL

Availability : consult factory for details of approved models.

Marking : to order switches marked UL, complete above box with "UL".