

# I<sup>Z</sup> series

**New!**

Rear mounted sealed pushbutton switches - bushing Ø 16 mm - metal - momentary

*Distinctive features and specifications*



- Rear mounting for easier installation
- Momentary metal models
- Fixed or variable panel thickness
- Screw version available up to 4A
- Sealed to IP67
- Illuminated or non-illuminated
- Flat actuator for optional marking

## ENVIRONMENTAL SPECIFICATIONS

- Front panel sealing : IP67 according to IEC 60529
- Shock resistance : 100 g according to IEC 512-4, test 6c
- Vibration resistance : 10-500Hz - 10 g according to IEC 512-4, test 6d
- Salt spray : IEC 512-6, test 11f
- Operating temperature : -40°C to +85°C

## ELECTRICAL SPECIFICATIONS

- Max. current/voltage rating with resistive load :
  - Gold plated silver contacts (code 4) : 200mA 48VDC - 200mA 250VAC
  - Silver contacts (code 2) - screw terminals : 2A 250VAC - 4A 48VDC
- Electrical life at full load : 500.000 cycles
- Initial contact resistance : 100 mΩ max.
- Insulation resistance : 1 GΩ min. at 500VDC
- Dielectric strength : 1.000 Vrms 50 Hz

### LED COMPONENT SPECIFICATIONS

LED colour	Forward current	Typ. forward voltage	Max. forward voltage
Super red (LOS)	20mA	2,1V	2,3V
Yellow (LOY)	20mA	2,1V	2,3V
Green (LOG)	20mA	2,1V	2,3V
Blue (LOB)	20mA	3,2V	3,8V
White (LOW)	20mA	3,35V	4,25V

A resistor must be series-connected by the user.

Resistor value =  $\frac{\text{supply voltage} - \text{LED forward voltage}}{\text{LED forward current}}$

On flying lead versions, the LED resistor can be integrated by APEM on request.

## GENERAL SPECIFICATIONS

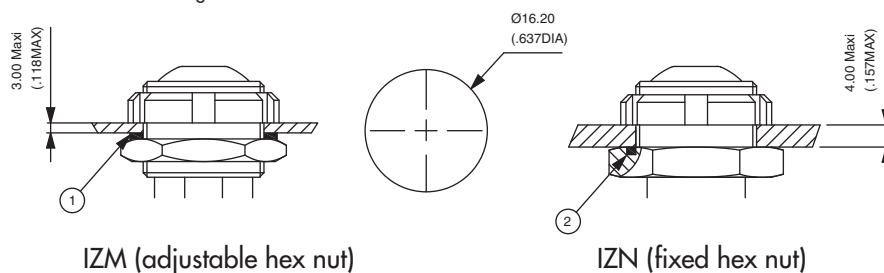
- Panel thickness :
  - IZM : 3 mm (.118) max.
  - IZN : 4 mm (.157) max.
- Total travel : 1,8 mm (.070) +/- 0,3 mm
- Typical operating force : 6N +/- 2N
- Mechanical life : 1.000.000 cycles
- Torque : IZN : 1 Nm max.  
IZM : 0,7 Nm max. applied to nut
- Soldering : 320°C max. for 3 sec.

## MATERIALS

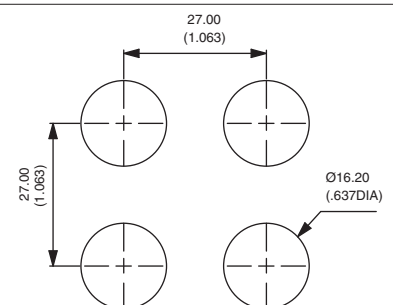
- Case : thermoplastic UL94-V0
- Plunger : polyamide
- Bushing/bezel : brass, nickel plated
- Contacts :
  - 4 : silver, gold plated
  - 2 : silver (screw terminals)
- Multi-wire lead AWG20, section 0,6 mm<sup>2</sup>
- LED wire : AWG26, section 0,12 mm<sup>2</sup>
- Lens : polycarbonate
- Terminal seal : epoxy

## PANEL CUT-OUT

- ① Flat seal ② O-ring



## MATRIX MOUNTING

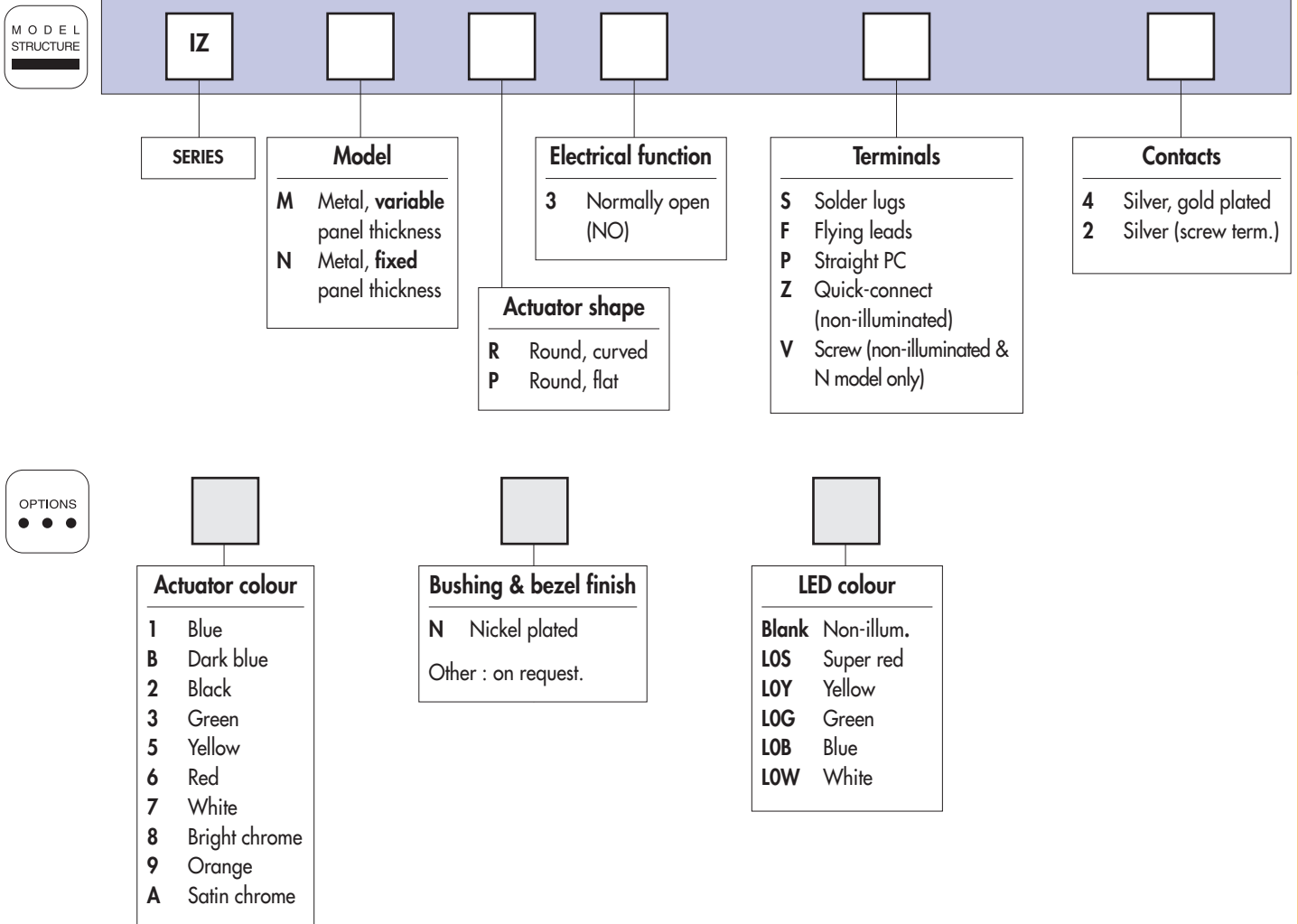


# New!

# IZ series

## Rear mounted sealed pushbutton switches - bushing Ø 16 mm - metal - momentary

Overview



### ABOUT THIS SERIES

On the following pages, you will find successively :  
model structure of switches and options in the same order as in above chart

**Dimensions** : first dimensions are in mm while inches are shown as bracketted numbers.



**NOTICE** : please note that not all combinations of above numbers are available.  
Refer to the following pages for further information.



**Mounting accessories** : Standard hardware supplied :

- IZM : 1 castellated nickel plated brass nut U6915 + 1 silicone flat seal + 1 hex nut 19 mm (.748) across flats U4116.
- IZN : 1 castellated nickel plated brass nut U6915 + 1 O-ring



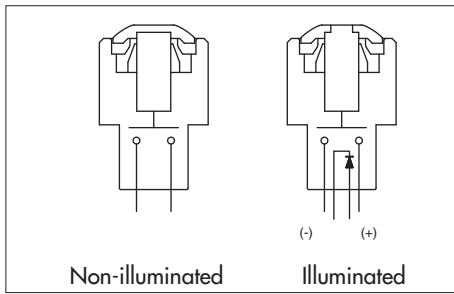
**Packaging unit** : 25 pieces for flying lead models - 40 pieces for other models

# IZ series

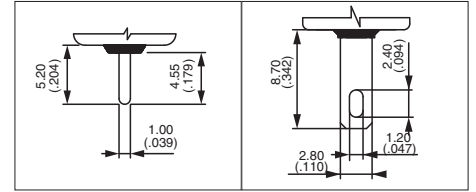
**New!**

Rear mounted sealed pushbutton switches - bushing Ø 16 mm - metal - momentary

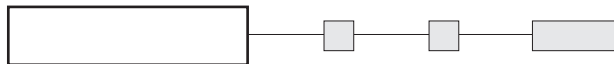
For variable panel thickness : IZM



- Five LED colours
- Tin plated LED terminals
- Gold plated contacts



## MODEL STRUCTURE



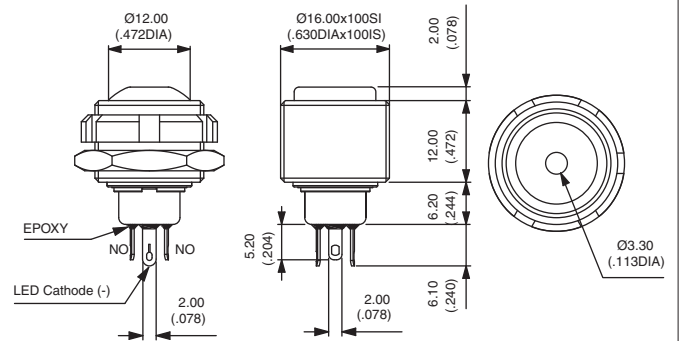
Plunger marking available on IZMP models (symbol 10 mm max.). On request.

## Illuminated - solder lug terminals



Curved actuator  
**IZMR3S4**  Normally Open

Flat actuator  
**IZMP3S4**  Normally Open



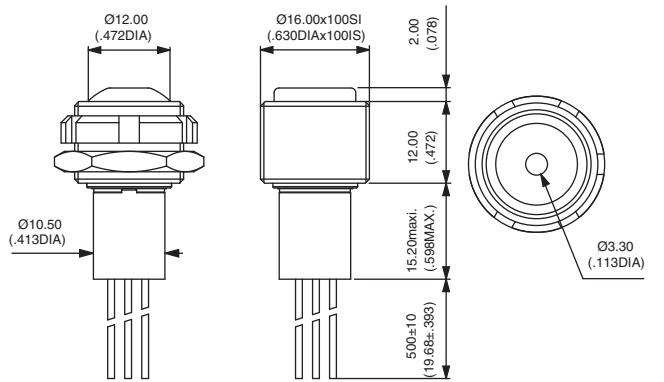
Also available with straight PC terminals : **IZM•3P4**.  
LED colour is indicated by the bottom of the switch.

## Illuminated - flying lead terminals



Curved actuator  
**IZMR3F4**  Normally Open

Flat actuator  
**IZMP3F4**  Normally Open



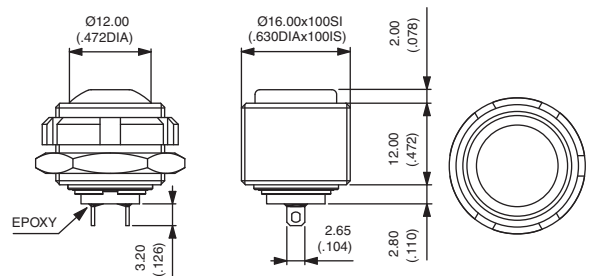
Wire colours : black : NO contact,  
red : LED anode (+), blue : LED cathode (-)

## Non-illuminated - solder lug terminals



Curved actuator  
**IZMR3S4**  Normally Open

Flat actuator  
**IZMP3S4**  Normally Open



Also available with straight PC terminals :  
**IZM•3P4** and quick-connect terminals : **IZM•3Z4**.

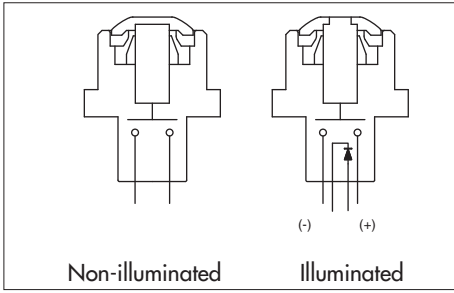
For non-illuminated FLYING LEAD versions, refer to illuminated models above. Non-illuminated have 2 wires only.

**New!**

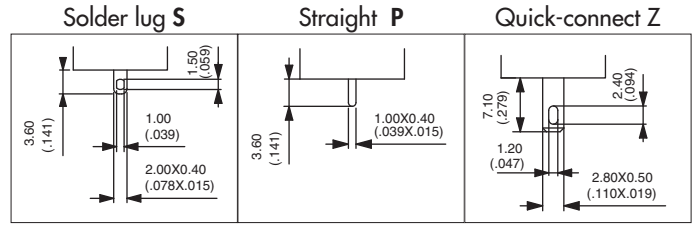
**IZ series**

Rear mounted sealed pushbutton switches - bushing Ø 16 mm - metal - momentary

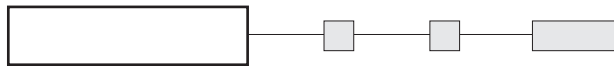
For fixed panel thickness : IZN



- Five LED colours
- Tin plated LED terminals



**MODEL STRUCTURE**



Plunger marking available on IZNP models (symbol 10 mm max.). On request.

**Illuminated - solder lug terminals**

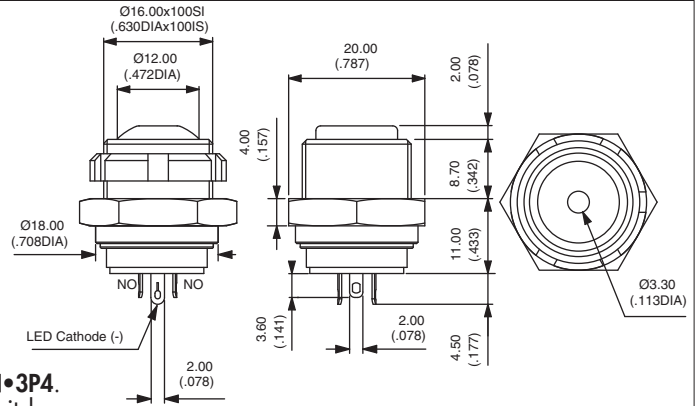


GOLD PLATED CONTACTS

Curved actuator  
**IZNR3S4** Normally Open

Flat actuator  
**IZNP3S4** Normally Open

Also available with straight PC terminals : **IZN•3P4**.  
LED colour is indicated by the bottom of the switch.



**Illuminated - sealed flying lead terminals**

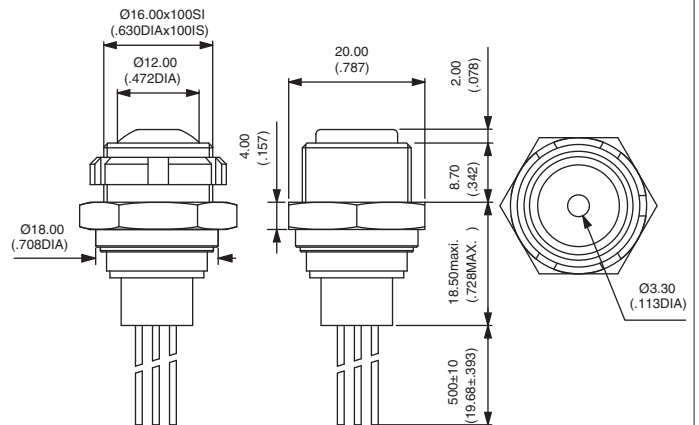


GOLD PLATED CONTACTS

Curved actuator  
**IZNR3F4** Normally Open

Flat actuator  
**IZNP3F4** Normally Open

Wire colours : black : NO contact,  
red : LED anode (+), blue : LED cathode (-)



**Non-illuminated - solder lug terminals**

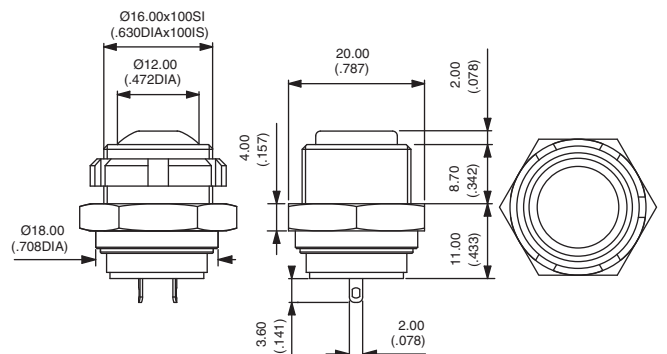


GOLD PLATED CONTACTS

Curved actuator  
**IZNR3S4** Normally Open

Flat actuator  
**IZNP3S4** Normally Open

Also available with straight PC terminals :  
**IZN•3P4** and quick-connect terminals : **IZN•3Z4**.



For non-illuminated FLYING LEAD versions, refer to illuminated models above. Non-illuminated have 2 wires only.

# I<sup>Z</sup> series

**New!**

Rear mounted sealed pushbutton switches - bushing Ø 16 mm - metal - momentary

For fixed panel thickness : IZN - options

## Non-illuminated - screw terminals

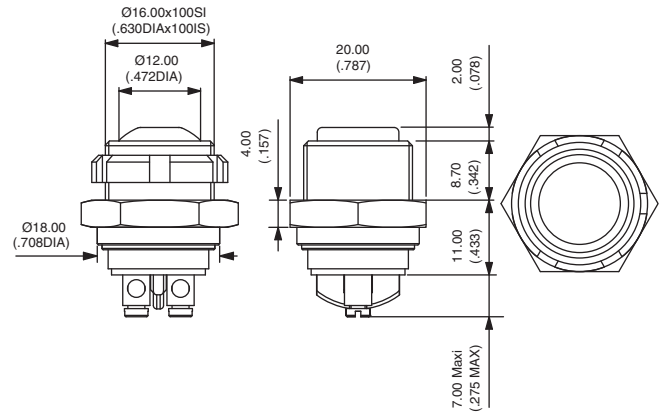


SILVER CONTACTS

Curved actuator  
**IZNR3V2**



Flat actuator  
**IZNP3V2**



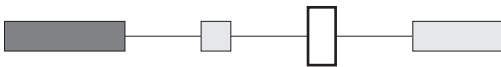
B

### ACTUATOR COLOUR



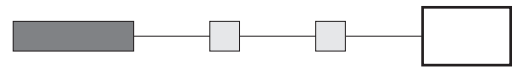
1 : blue - B : dark blue - 2 : black - 3 : green - 5 : yellow - 6 : red - 7 : white - 8 : bright chrome - 9 : orange  
A : satin chrome

### BUSHING AND BEZEL COLOUR



N : nickel plated (standard)  
Other : on request.

### LED COLOUR



Blank : non-illuminated  
LOS : super red - LOY : yellow - LOG : green  
LOB : blue - LOW : white

# New!

# IZ series

## Rear mounted sealed pushbutton switches - bushing Ø 16 mm - metal - latching

*Distinctive features and specifications*



- Rear mounting for easier installation
- Latching action metal models
- Fixed or variable panel thickness
- Sealed to IP67
- Illuminated or non-illuminated
- Flat actuator for optional marking

### ENVIRONMENTAL SPECIFICATIONS

- Front panel sealing : IP67 according to IEC 60529
- Shock resistance : 100 g according to IEC 512-4, test 6c
- Vibration resistance : 10-500Hz - 10 g according to IEC 512-4, test 6d
- Salt spray : IEC 512-6, test 11f
- Robustness (non-illuminated) : IK06 according to EN 50102 (1 joule)
- Operating temperature : -40°C to +85°C

### ELECTRICAL SPECIFICATIONS

- Max. current/voltage rating with resistive load : 100mA 24VDC - 200.000 cycles
- Initial contact resistance : 100 mΩ max.
- Insulation resistance : 1 GΩ min. at 500VDC
- Dielectric strength : 1.500 Vrms between terminals  
1.000 Vrms between terminals and frame

#### LED COMPONENT SPECIFICATIONS

LED colour	Forward current	Typ. forward voltage	Max. forward voltage
Super red (LOS)	20mA	1,95V	1,95V
Yellow (LOY)	20mA	2V	2,05V
Green (LOG)	20mA	3,2V	3,70V
Blue (LOB)	20mA	3,2V	4V

A resistor must be series-connected by the user.

$$\text{Resistor value} = \frac{\text{supply voltage} - \text{LED forward voltage}}{\text{LED forward current}}$$

On flying lead versions, the LED resistor can be integrated by APEM on request.

### GENERAL SPECIFICATIONS

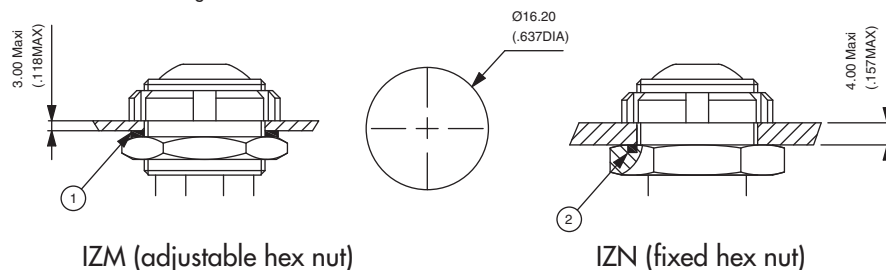
- Panel thickness :
  - IZM : 3 mm (.118) max.
  - IZN : 4 mm (.157) max.
- Total travel : 2,5 mm (.098) +/-0,3 mm
- Typical operating force : 5N +/- 2N
- Mechanical life : 200.000 cycles
- Torque : IZN : 1 Nm max.  
IZM : 0,7 Nm max. applied to nut
- Soldering : 320°C max. for 3 sec.

### MATERIALS

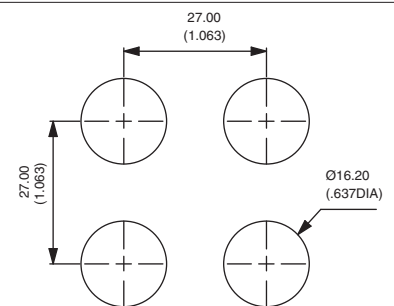
- Case : thermoplastic UL94-V0
- Plunger : polyamide
- Bushing/bezel : brass, nickel plated
- Contacts : silver, gold plated
- Multi-wire lead AWG20, section 0,6 mm<sup>2</sup>
- LED wire : AWG26, section 0,12 mm<sup>2</sup>
- Lens : polycarbonate
- Terminal seal : epoxy

### PANEL CUT-OUT

- ① Flat seal ② O-ring



### MATRIX MOUNTING



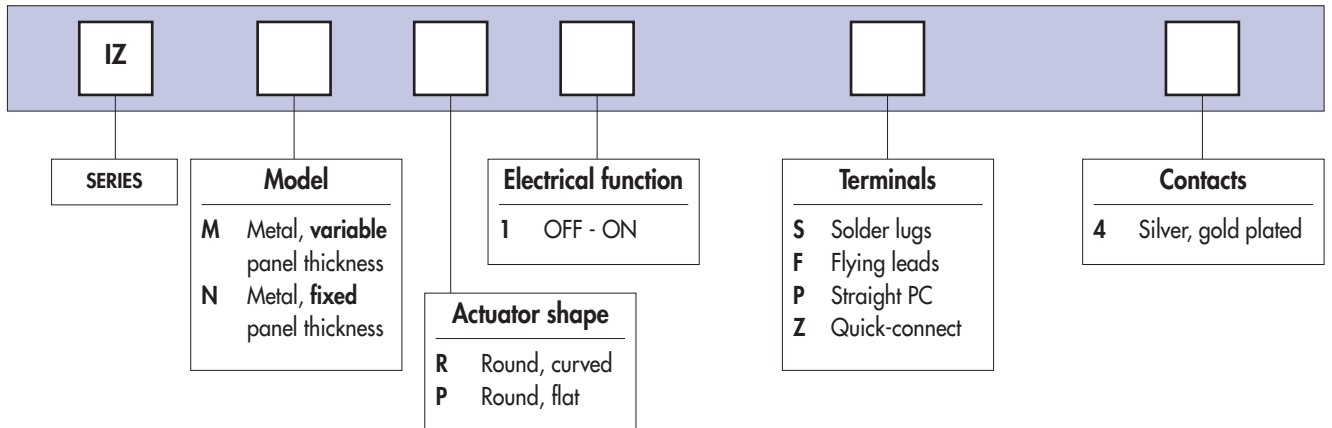
# IZ series

**New!**

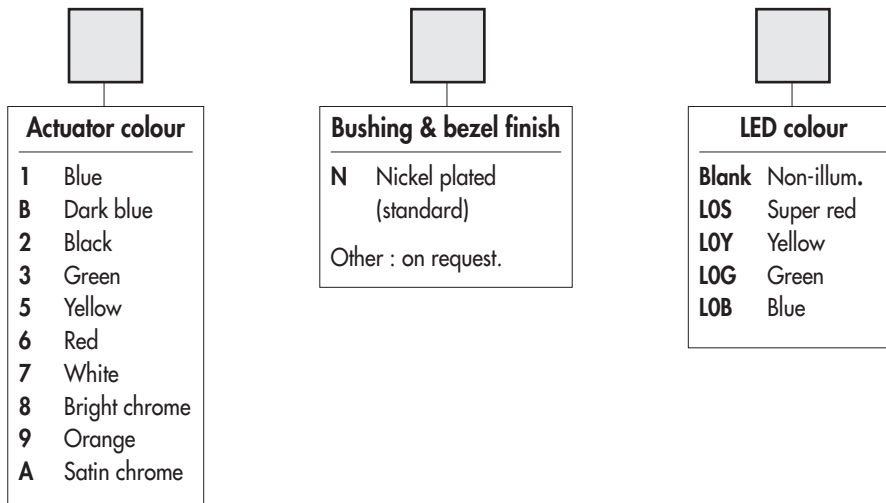
Rear mounted sealed pushbutton switches - bushing Ø 16 mm - metal - latching

Overview

MODEL  
STRUCTURE



OPTIONS



## ABOUT THIS SERIES

On the following pages, you will find successively :  
model structure of switches and options in the same order as in above chart

**Dimensions** : first dimensions are in mm while inches are shown as bracketted numbers.



**NOTICE** : please note that not all combinations of above numbers are available. Refer to the following pages for further information.



**Mounting accessories** : Standard hardware supplied :

- IZN : 1 castellated nickel plated brass nut U6915 + 1 O-ring

- IZM : 1 castellated nickel plated brass nut U6915 + 1 silicone flat seal + 1 hex nut 19 mm (.748) across flats U4116.



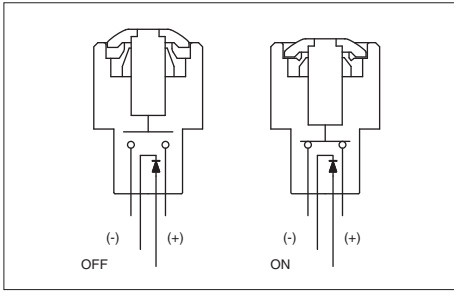
**Packaging unit** : 25 pieces for flying lead models - 40 pieces for other models

**New!**

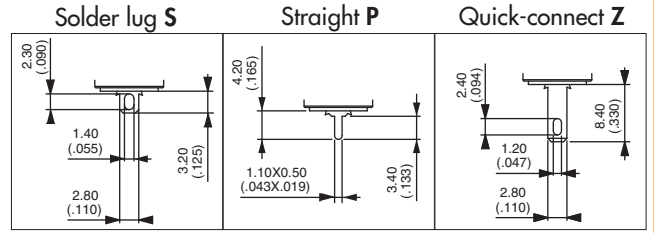
# IZ series

Rear mounted sealed pushbutton switches - bushing Ø 16 mm - metal - latching

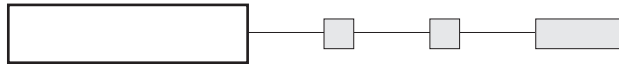
For variable panel thickness : IZM



- Four LED colours
- Tin plated LED terminals
- Gold plated contacts



**MODEL STRUCTURE**



Plunger marking available on IZMP models (symbol 10 mm max.). On request.

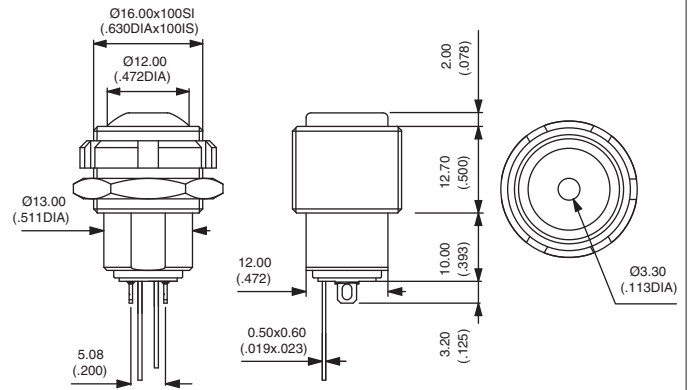
**Illuminated - solder lug terminals**



Curved actuator  
**IZMR1S4** OFF - ON

Flat actuator  
**IZMP1S4** OFF - ON

Also available with straight PC terminals :  
**IZM•1P4** & quick-connect terminals : **IZM•1Z4**.



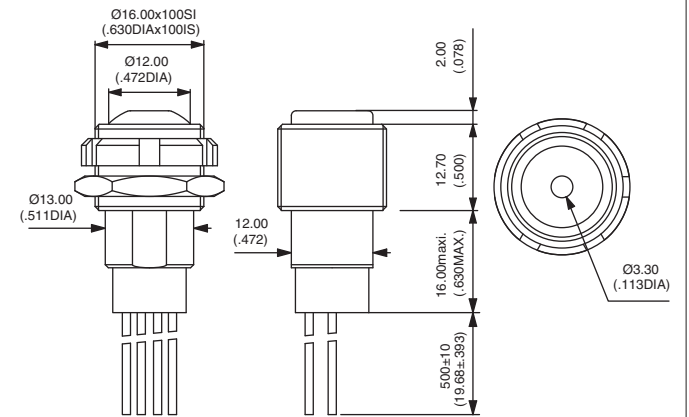
**Illuminated - flying lead terminals**



Curved actuator  
**IZMR1F4** OFF - ON

Flat actuator  
**IZMP1F4** OFF - ON

Wire colours : black : contact,  
red : LED anode(+), blue : LED cathode (-)



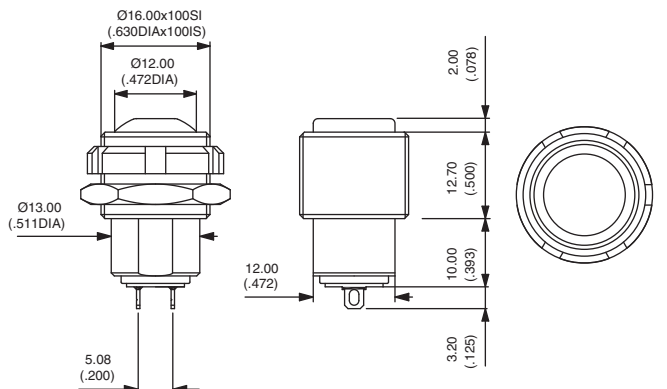
**Non-illuminated - solder lug terminals**



Curved actuator  
**IZMR1S4** OFF - ON

Flat actuator  
**IZMP1S4** OFF - ON

Also available with straight PC terminals :  
**IZM•1P4** & quick-connect terminals : **IZM•1Z4**.



For FLYING LEAD versions, refer to illuminated models above. Non-illuminated have 2 wires only.

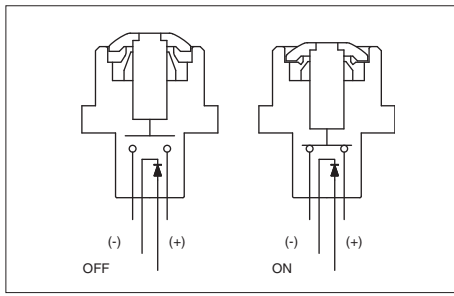


# IZ series

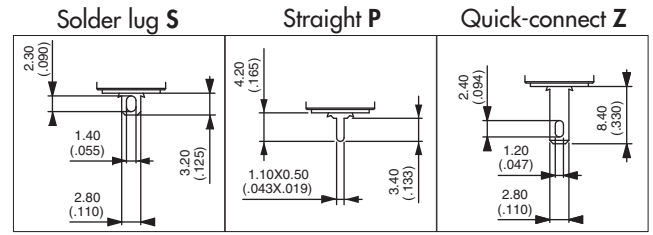
**New!**

## Rear mounted sealed pushbutton switches - bushing Ø 16 mm - metal - latching

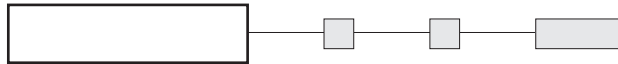
For fixed panel thickness : IZN



- Four LED colours
- Tin plated LED terminals
- Gold plated contacts



### MODEL STRUCTURE



Plunger marking available on IZNP models (symbol 10 mm max.). On request.

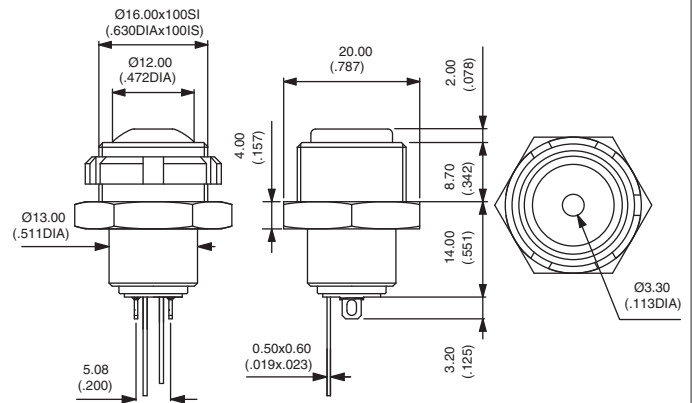
### Illuminated - solder lug terminals



Curved actuator  
**IZNR1S4** OFF - ON

Flat actuator  
**IZNP1S4** OFF - ON

Also available with straight PC terminals :  
**IZN•1P4** & quick-connect terminals : **IZN•1Z4**.



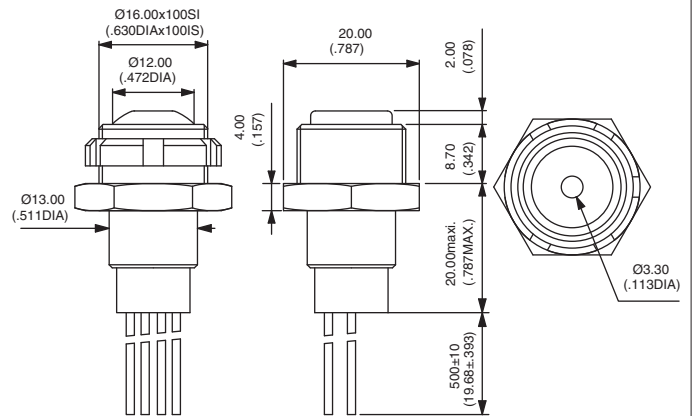
### Illuminated - flying lead terminals



Curved actuator  
**IZNR1F4** OFF - ON

Flat actuator  
**IZNP1F4** OFF - ON

Wire colours : black : contact,  
red : LED anode(+), blue : LED cathode (-)



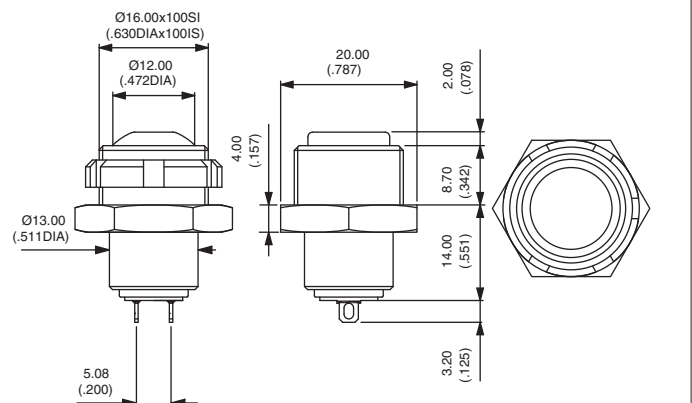
### Non-illuminated - solder lug terminals



Curved actuator  
**IZNR1S4** OFF - ON

Flat actuator  
**IZNP1S4** OFF - ON

Also available with straight PC terminals :  
**IZN•1P4** & quick-connect terminals : **IZN•1Z4**.



For FLYING LEAD versions, refer to illuminated models above. Non-illuminated have 2 wires only.

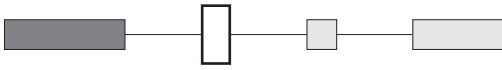
**New!**

# **IZ series**

Rear mounted sealed pushbutton switches - bushing Ø 16 mm - metal - latching

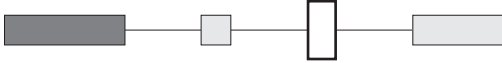
*Options*

## **ACTUATOR COLOUR**



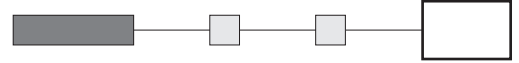
**1** : blue - **B** : dark blue - **2** : black - **3** : green - **5** : yellow - **6** : red - **7** : white - **8** : bright chrome - **9** : orange  
**A** : satin chrome

## **BUSHING AND BEZEL COLOUR**



**N** : nickel plated (standard)  
Other : on request.

## **LED COLOUR**



**Blank** : non-illuminated  
**LOS** : super red - **LOY** : yellow - **LOG** : green  
**LOB** : blue

# I<sup>Z</sup> series

**New!**

Rear mounted sealed pushbutton switches - bushing Ø 16 mm - momentary

*Distinctive features and specifications*



- Rear mounting for easier installation
- Momentary models
- Screw version available up to 4A
- Sealed to IP67
- Illuminated or non-illuminated
- Flat actuator for optional marking

## ENVIRONMENTAL SPECIFICATIONS

- Front panel sealing : IP67 according to IEC 60529
- Shock resistance : 100 g according to IEC 512-4, test 6c
- Vibration resistance : 10-500Hz - 10 g according to IEC 512-4, test 6d
- Salt spray : IEC 512-6, test 11f
- Operating temperature : -40°C to +85°C

## GENERAL SPECIFICATIONS

- Panel thickness : 3 mm (.118) max.
- Total travel : 1,8 mm (.070) +/- 0,3 mm
- Typical operating force : 6N +/- 2N
- Mechanical life : 1.000.000 cycles
- Torque : 0,7 Nm max. applied to nut
- Soldering : 320°C max. for 3 sec.

## ELECTRICAL SPECIFICATIONS

- Max. current/voltage rating with resistive load :
  - Gold plated silver contacts (code 4) : 200mA 48VDC - 200mA 250VAC
  - Silver contacts (code 2) - screw terminals : 2A 250VAC - 4A 48VDC
- Electrical life at full load : 500.000 cycles
- Initial contact resistance : 100 mΩ max.
- Insulation resistance : 1 GΩ min. at 500VDC
- Dielectric strength : 1.000 Vrms 50 Hz

### LED COMPONENT SPECIFICATIONS

LED colour	Forward current	Typ. forward voltage	Max. forward voltage
Super red (LOS)	20mA	2,1V	2,3V
Yellow (LOY)	20mA	2,1V	2,3V
Green (LOG)	20mA	2,1V	2,3V
Blue (LOB)	20mA	3,2V	3,8V
White (LOW)	20mA	3,35V	4,25V

A resistor must be series-connected by the user.

Resistor value =  $\frac{\text{supply voltage} - \text{LED forward voltage}}{\text{LED forward current}}$

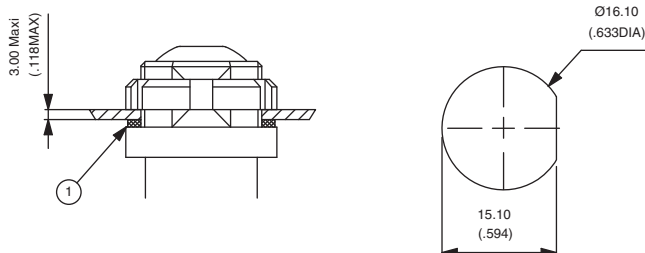
On flying lead versions, the LED resistor can be integrated by APEM on request.

## MATERIALS

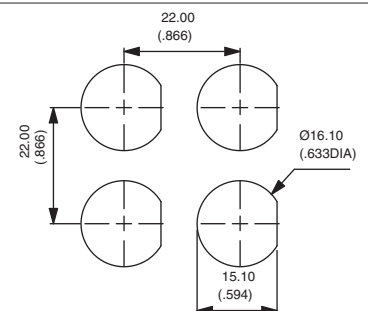
- Case : thermoplastic UL94-V0
- Plunger : polyamide
- Bushing/bezel : polyamide
- Contacts :
  - 4 : silver, gold plated
  - 2 : silver (screw terminals)
- Multi-wire lead AWG20, section 0,6 mm<sup>2</sup>
- LED wire : AWG26, section 0,12 mm<sup>2</sup>
- Lens : polycarbonate
- Terminal seal : epoxy

## PANEL CUT-OUT

① Flat seal



## MATRIX MOUNTING

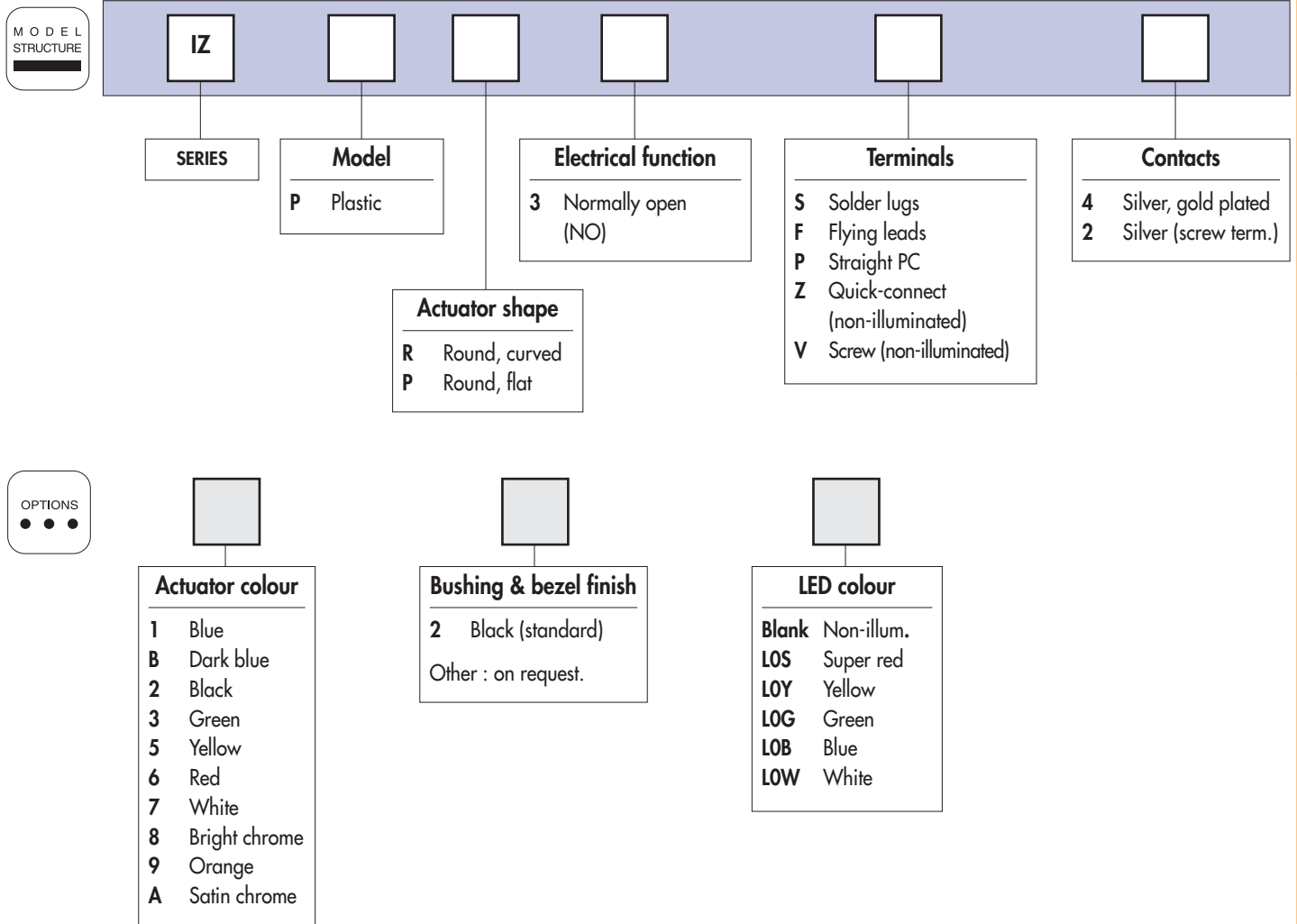


# New!

# IZ series

## Rear mounted sealed pushbutton switches - bushing Ø 16 mm - momentary

Overview



### ABOUT THIS SERIES

On the following pages, you will find successively :  
model structure of switches and options in the same order as in above chart

**Dimensions** : first dimensions are in mm while inches are shown as bracketted numbers.



**NOTICE** : please note that not all combinations of above numbers are available.  
Refer to the following pages for further information.



**Mounting accessories** : Standard hardware supplied : 1 castellated black plastic nut U4249 and 1 silicone flat seal.



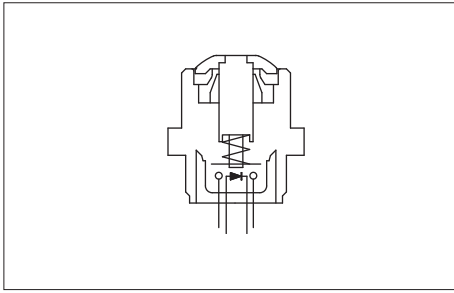
**Packaging unit** : 25 pieces for flying lead models - 40 pieces for other models

# IZ series

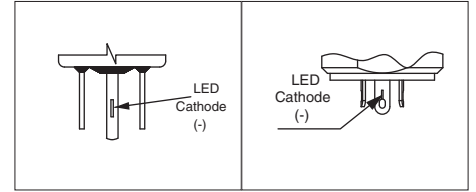
**New!**

## Rear mounted sealed pushbutton switches - bushing Ø 16 mm - momentary

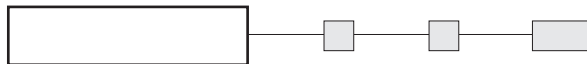
*Illuminated*



- Five LED colours
- Tin plated LED terminals
- Gold plated contacts



### MODEL STRUCTURE



Plunger marking available on IZPP models (symbol 10 mm max.). On request.

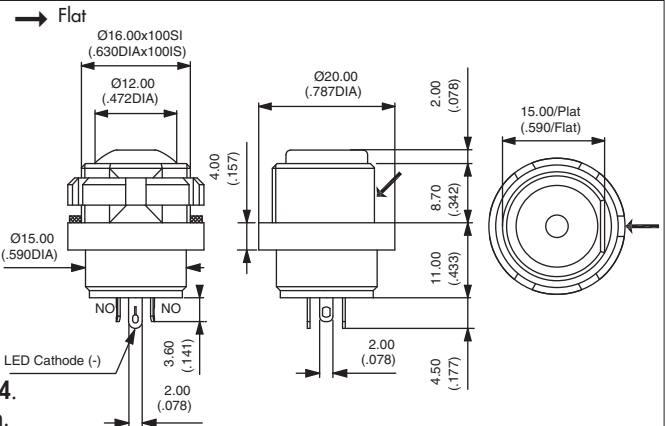
### Solder lug terminals



Curved actuator  
**IZPR3S4** Normally Open

Flat actuator  
**IZPP3S4** Normally Open

Also available with straight PC terminals : **IZP•3P4**.  
LED colour is indicated by the bottom of the switch.



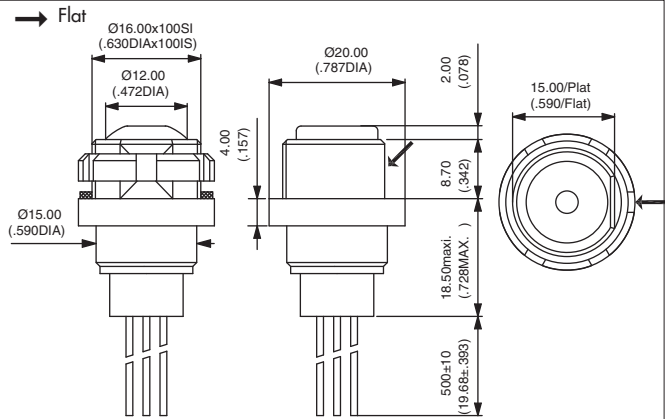
### Flying lead terminals - momentary



Curved actuator  
**IZPR3F4** Normally Open

Flat actuator  
**IZPP3F4** Normally Open

Wire colours : black : NO contact,  
red : LED anode(+), blue : LED cathode (-)

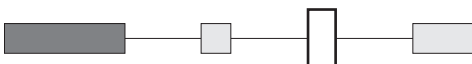


### ACTUATOR COLOUR



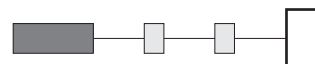
1 : blue - B : dark blue - 2 : black - 3 : green - 5 : yellow - 6 : red - 7 : white - 8 : bright chrome - 9 : orange  
A : satin chrome

### BUSHING AND BEZEL COLOUR



2 : black (standard)  
Other : on request.

### LED COLOUR



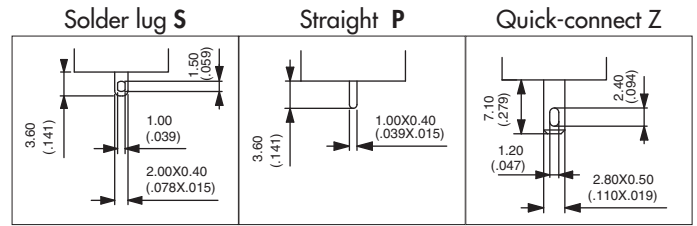
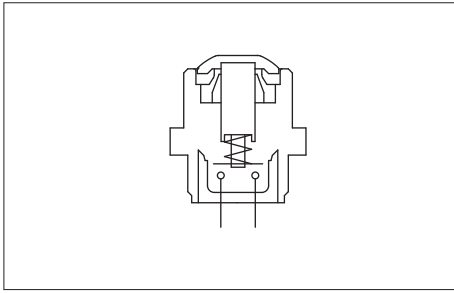
LOS : super red - LOY : yellow - LOG : green  
LOB : blue - LOW : white

**New!**

**IZ series**

Rear mounted sealed pushbutton switches - bushing Ø 16 mm - momentary

Non-illuminated



MODEL STRUCTURE



Plunger marking available on IZPP models (symbol 12 mm max.). On request.

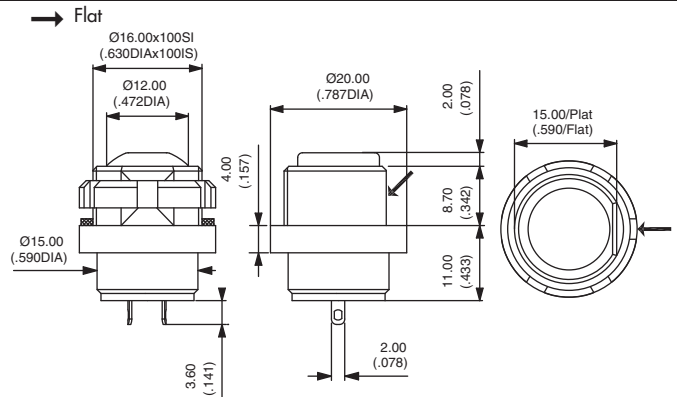
**Solder lug terminals - gold plated contacts**



Curved actuator  
**IZPR3S4**



Flat actuator  
**IZPP3S4**



Also available with straight PC terminals : **IZP•3P4** and quick-connect terminals : **IZP•3Z4**.

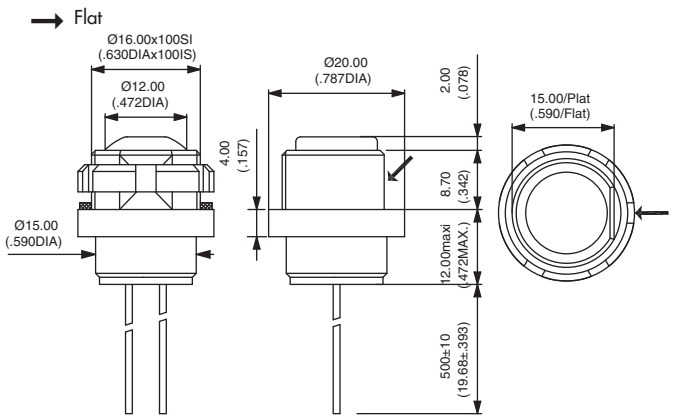
**Sealed flying lead terminals - gold plated contacts**



Curved actuator  
**IZPR3F4**



Flat actuator  
**IZPP3F4**



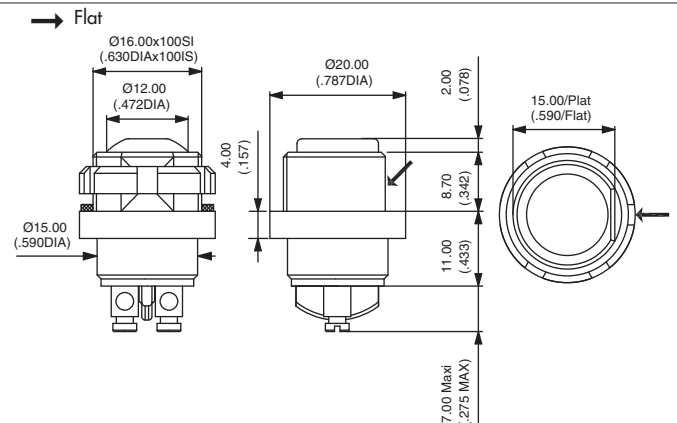
**Screw terminals - silver contacts**



Curved actuator  
**IZPR3V2**



Flat actuator  
**IZPP3V2**



Actuator colour and bushing/bezel colour : select the desired codes on previous page.

# I<sup>Z</sup> series

**New!**

## Rear mounted sealed pushbutton switches - bushing Ø 16 mm - latching

*Distinctive features and specifications*



- Rear mounting for easier installation
- Latching action models
- Sealed to IP67
- Illuminated or non-illuminated
- Flat actuator for optional marking

### ENVIRONMENTAL SPECIFICATIONS

- Front panel sealing : IP67 according to IEC 60529
- Shock resistance : 100 g according to IEC 512-4, test 6c
- Vibration resistance : 10-500Hz - 10 g according to IEC 512-4, test 6d
- Salt spray : IEC 512-6, test 11f
- Operating temperature : -40°C to +85°C

### GENERAL SPECIFICATIONS

- Panel thickness : 3 mm (.118) max.
- Total travel : 2,5 mm (.098) +/- 0,3 mm
- Typical operating force : 5N +/- 2N
- Mechanical life : 200.000 cycles
- Torque : 0,7 Nm max. applied to nut
- Soldering : 320°C max. for 3 sec.

### ELECTRICAL SPECIFICATIONS

- Max. current/voltage rating with resistive load : 100mA 24VDC - 200.000 cycles
- Initial contact resistance : 100 mΩ max.
- Insulation resistance : 1 GΩ min. at 500VDC
- Dielectric strength : 1.500 Vrms between terminals

#### LED COMPONENT SPECIFICATIONS

LED colour	Forward current	Typ. forward voltage	Max. forward voltage
Super red (LOS)	20mA	1,95V	1,95V
Yellow (LOY)	20mA	2V	2,05V
Green (LOG)	20mA	3,2V	3,70V
Blue (LOB)	20mA	3,2V	4V

A resistor must be series-connected by the user.

Resistor value =  $\frac{\text{supply voltage} - \text{LED forward voltage}}{\text{LED forward current}}$

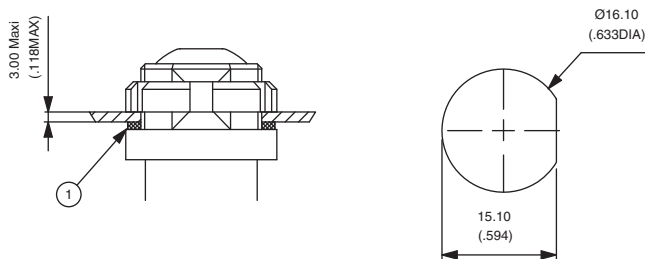
On flying lead versions, the LED resistor can be integrated by APEM on request.

### MATERIALS

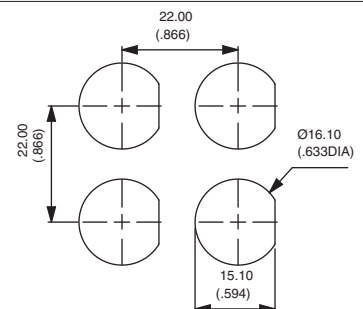
- Case : thermoplastic UL94-V0
- Plunger : polyamide
- Bushing/bezel : polyamide
- Contacts : silver, gold plated
- Multi-wire lead AWG20, section 0,6 mm<sup>2</sup>
- LED wire : AWG26, section 0,12 mm<sup>2</sup>
- Lens : polycarbonate
- Terminal seal : epoxy

### PANEL CUT-OUT

① Flat seal



### MATRIX MOUNTING

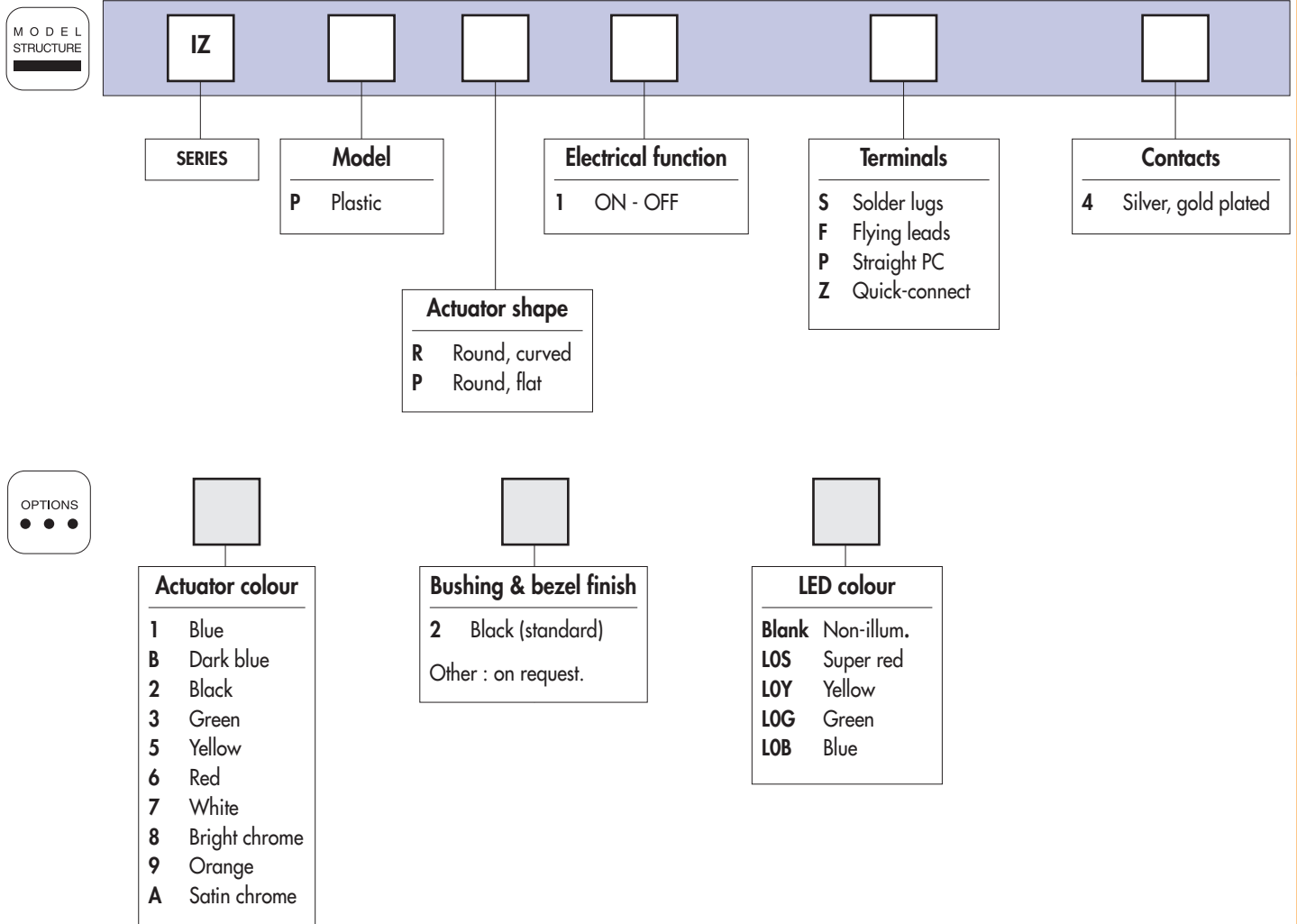


# New!

# IZ series

## Rear mounted sealed pushbutton switches - bushing Ø 16 mm - latching

*Distinctive features and specifications*



### ABOUT THIS SERIES

On the following pages, you will find successively :  
model structure of switches and options in the same order as in above chart

**Dimensions** : first dimensions are in mm while inches are shown as bracketted numbers.



**NOTICE** : please note that not all combinations of above numbers are available.  
Refer to the following pages for further information.



**Mounting accessories** : Standard hardware supplied : 1 castellated black plastic nut U4249 and 1 silicone flat seal.



**Packaging unit** : 25 pieces for flying lead models - 40 pieces for other models

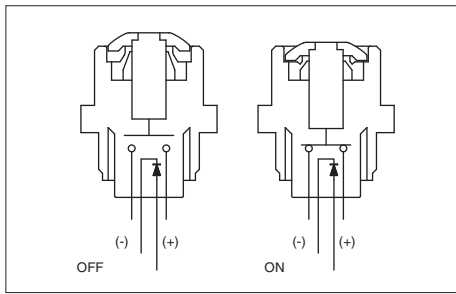


# IZ series

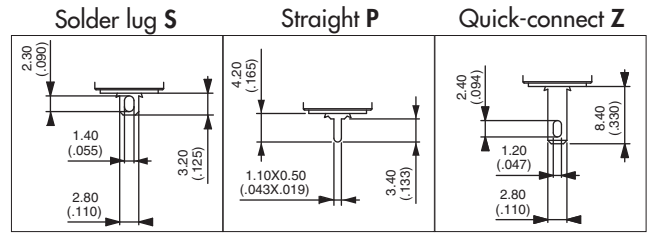
**New!**

Rear mounted sealed pushbutton switches - bushing Ø 16 mm - latching

*Illuminated*



- Four LED colours
- Tin plated LED terminals
- Gold plated contacts



## MODEL STRUCTURE



Plunger marking available on IZPP models (symbol 10 mm max.). On request.

## Solder lug terminals



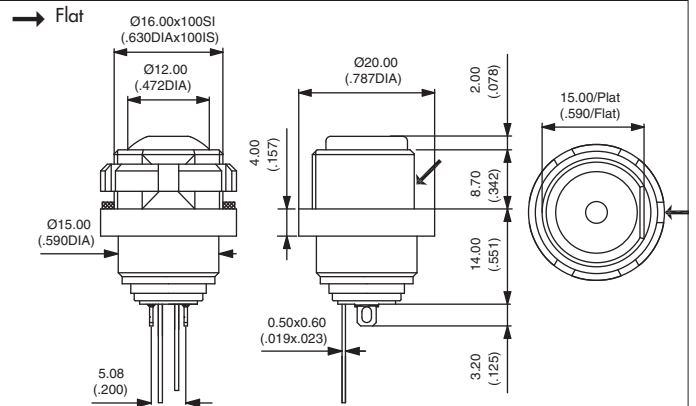
Curved actuator  
**IZPR1S4**

ON - OFF

Flat actuator  
**IZPP1S4**

ON - OFF

Also available with straight PC terminals : **IZP•1P4** and quick-connect terminals : **IZP•1Z4**.



## Sealed flying lead terminals



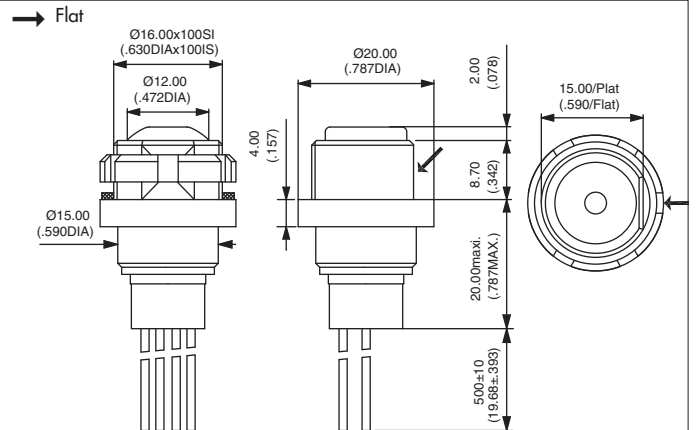
Curved actuator  
**IZPR1F4**

ON - OFF

Flat actuator  
**IZPP1F4**

ON - OFF

Wire colours : black : NO contact,  
red : LED anode(+), blue : LED cathode (-)

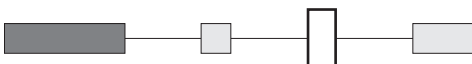


## ACTUATOR COLOUR



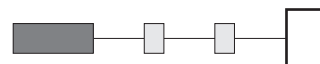
1 : blue - B : dark blue - 2 : black - 3 : green - 5 : yellow - 6 : red - 7 : white - 8 : bright chrome - 9 : orange  
A : satin chrome

## BUSHING AND BEZEL COLOUR



2 : black (standard)  
Other : on request.

## LED COLOUR



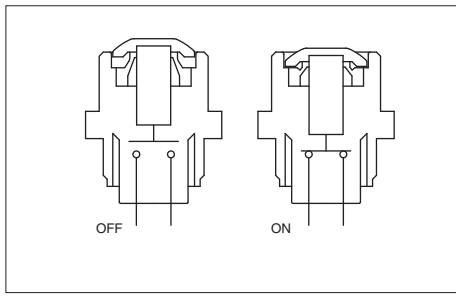
LOS : super red - LOY : yellow - LOG : green  
LOB : blue

**New!**

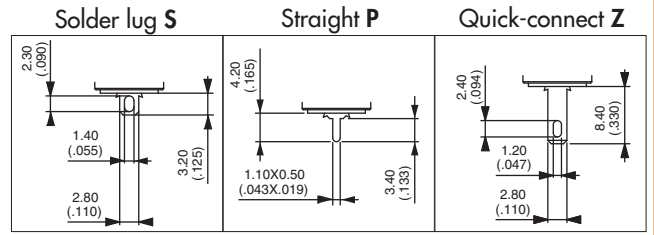
# IZ series

Rear mounted sealed pushbutton switches - bushing Ø 16 mm - latching

*Non-illuminated*



- Gold plated contacts



**MODEL STRUCTURE**



Plunger marking available on IZPP models (symbol 10 mm max.). On request.

## Solder lug terminals



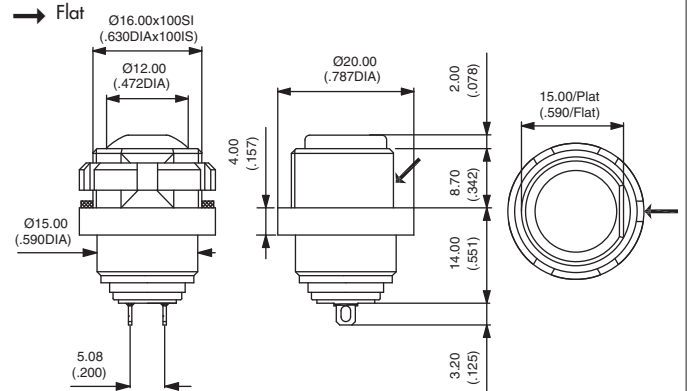
Curved actuator  
**IZPR1S4**

ON - OFF

Flat actuator  
**IZPP1S4**

ON - OFF

Also available with straight PC terminals : **IZP•1P4** and quick-connect terminals : **IZP•1Z4**.



## Sealed flying lead terminals

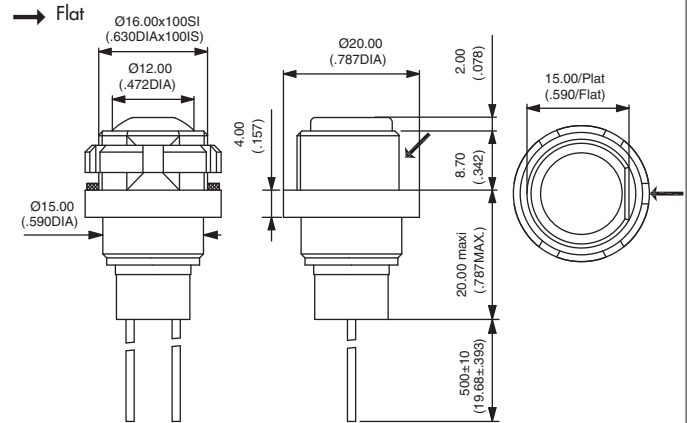


Curved actuator  
**IZPR1F4**

ON - OFF

Flat actuator  
**IZPP1F4**

ON - OFF



## ACTUATOR COLOUR



1 : blue - B : dark blue - 2 : black - 3 : green - 5 : yellow - 6 : red - 7 : white - 8 : bright chrome - 9 : orange  
A : satin chrome

## BUSHING AND BEZEL COLOUR



2 : black (standard)  
Other : on request.