

# 1200M/MR series

## Robust momentary pushbutton switches - metal plunger

*Distinctive features and specifications*



Butt action contacts, double break

UL and CSA approved

B

### ELECTRICAL SPECIFICATIONS

- Max. current/voltage rating with resistive load :
  - silver contacts (A) : 4A 250VAC - 8A 125VAC - 4A 24VDC - 8A 12VDC
  - silver plated copper contacts (C) : 2A 250VAC - 3A 125VAC - 2A 14VDC - 3A 12VDC
- Initial contact resistance : 10 mΩ max.
- Insulation resistance : 1.000 MΩ min. at 500VDC
- Dielectric strength :
  - 2.000 Vrms 50 Hz min. between terminals
  - 3.000 Vrms 50 Hz min. between terminals and frame
- Electrical life : 10.000 cycles at full load

### MATERIALS

- Case : polyamide
- Plunger : top chrome plated brass on polyamide base
- Bushing : brass, nickel plated
- Cap nut : brass, chrome plated
- Contacts : **A** : silver  
**C** : copper, silver plated

### GENERAL SPECIFICATIONS

- Torque : 1,50 Nm (1.10 Ft.lb) max. applied to nut
- Panel thickness : 4,5 mm (.177) max.
- Total travel :
  - NO : 4,5 mm (.177) +/- 0,3 (.011)
  - NC : 3,5 mm (.137) +/- 0,3 (.011)
- Operating temperature : -20°C to +55°C

### AGENCY APPROVALS



4A 250VAC - 8A 125VAC

**Availability** : approved models are 1213A and 1203A (M or MR)  
(model 1223A is only UL approved).

**Marking** : to order switches marked UL or CSA, complete appropriate box of ordering format.

### ABOUT THIS SERIES

**Dimensions** : first dimensions are in mm while inches are shown as bracketted numbers.



**Mounting accessories** : standard hardware supplied with all models : 1 hex nut U166 and 1 conic cap nut U1866-6.  
Special cap nut U1874 is presented on the following pages.



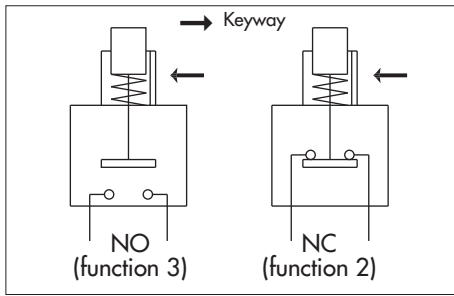
**Packaging unit** : 40 pieces



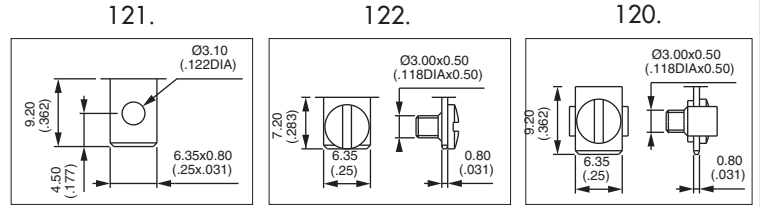
# 1200M/MR series

Robust momentary pushbutton switches - metal plunger

Solder lug/quick-connect terminals - screw terminals



- Flat or curved plunger
- Panel cut-out  $\varnothing$  12,2 (.480)
- Single pole



MODEL STRUCTURE



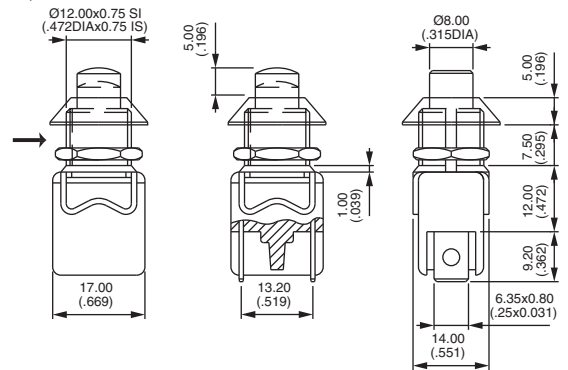
B

## Solder lug/quick-connect terminals 6,35 x 0,8 (.250 x .031) → Keyway



Curved plunger Flat plunger

1212MR	1212M		NC
1213MR	1213M		NO

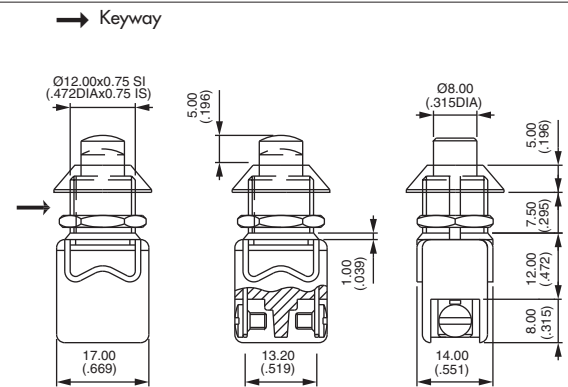


## Screw terminals



Curved plunger Flat plunger

1222MR	1222M		NC
1223MR	1223M		NO

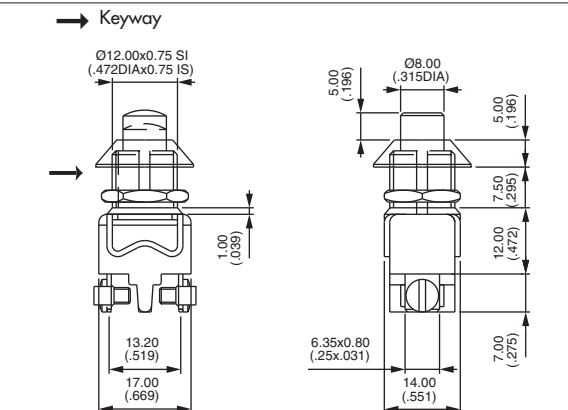


## Screw terminals + clamp



Curved plunger Flat plunger

1202MR	1202M		NC
1203MR	1203M		NO

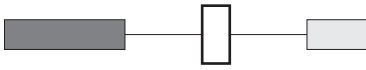


# 1200M/MR series

Robust momentary pushbutton switches - metal plunger

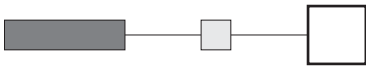
OPTIONS  
● ● ●

## CONTACT MATERIALS



- A Silver
- C Copper, silver plated

## AGENCY APPROVALS



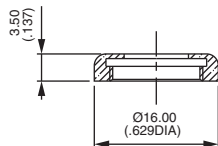
UL - CSA

**Availability** : approved models are 1213A and 1203A (M or MR) - model 1223A is only UL approved.

**Marking** : to order switches marked UL or CSA, complete above box with desired approvals.

## SPECIAL CAP NUT

Chrome plated cap nut  $\varnothing$  16 (.629), flat and plain.  
Can be supplied instead of standard cap nut U1866-6.  
Order separately.



U1874