

MT series

Sealed selector switches

Distinctive features - Specifications

New!

UG1212-A-R1



- Environmentally sealed selector switch (IP68)
- Multiple single functions available
- Various contact materials that allow usage from dry circuit applications up to 4A

ELECTRICAL AND GENERAL SPECIFICATIONS

- Max. current/voltage rating with resistive load :
 - Silver contacts (A) : 4A 30VDC
 - Gold plated silver contacts (AD) : 4A 30VDC (gold plating withstands up to 100mA 30VDC)
 - Gold plated brass contacts (CD) : 0,4VA 20VAC or DC
- Minimal load :
 - A contacts : 50mA 10VDC
 - AD and CD contacts : 10mA 50mV - 10 μ A 5V
- Initial contact resistance : 10m Ω max.
- Insulation resistance : 1.000 M Ω min. at 500VDC
- Dielectric strength : 1.000 Vrms 50Hz min. between terminals
1.500 Vrms 50Hz min. between terminals and frame
- Contact bounce : 2ms max.
- Electrical life at full load : 50.000 cycles
- Low level or mechanical life : 100.000 cycles
- Panel thickness : 11,5 mm (.452) max.
- Operating temperature : -40°C to +85°C

MATERIALS

- Actuator : 6/6 nylon
- Bushing : brass, chrome plated
- Contacts :
 - A : silver
 - AD : silver, gold plated
 - CD : brass, gold plated
- Terminal seal : epoxy

Dimensions : First dimensions are in mm while inches are shown as bracketed numbers.



Mounting accessories : Standard hardware supplied : 1 hex nut 20.64 mm (.813) across flats and 1 sealing gasket.

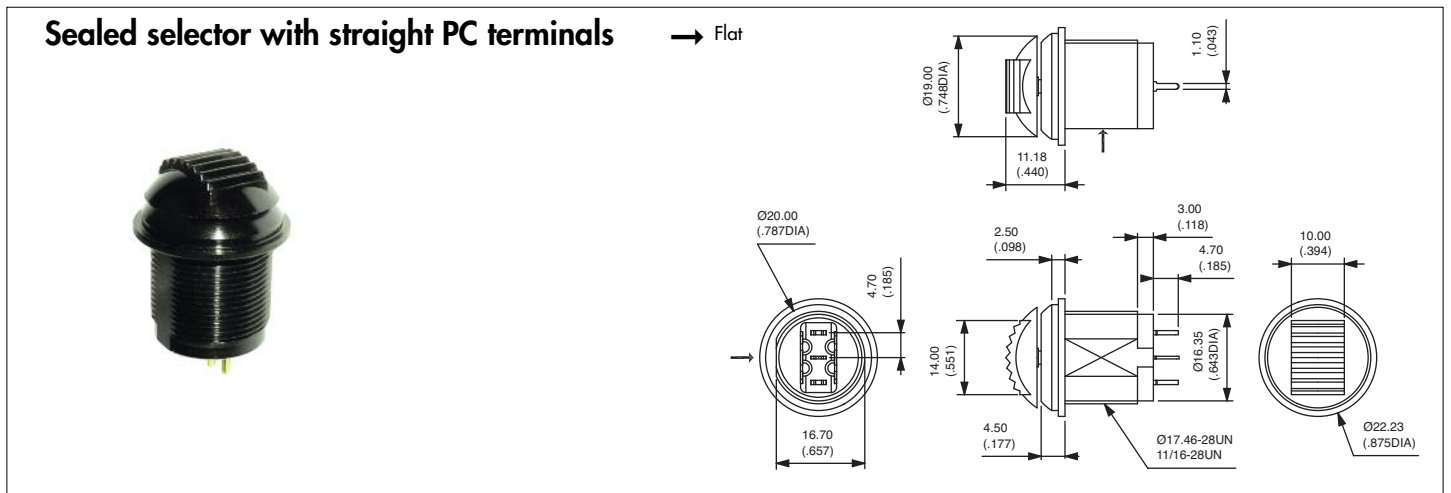
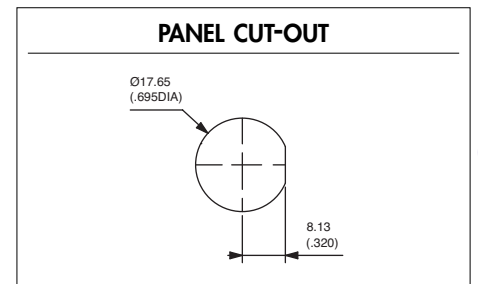
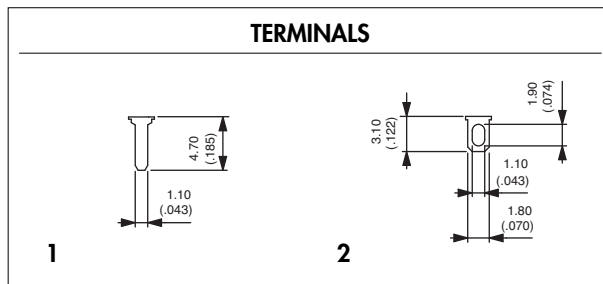
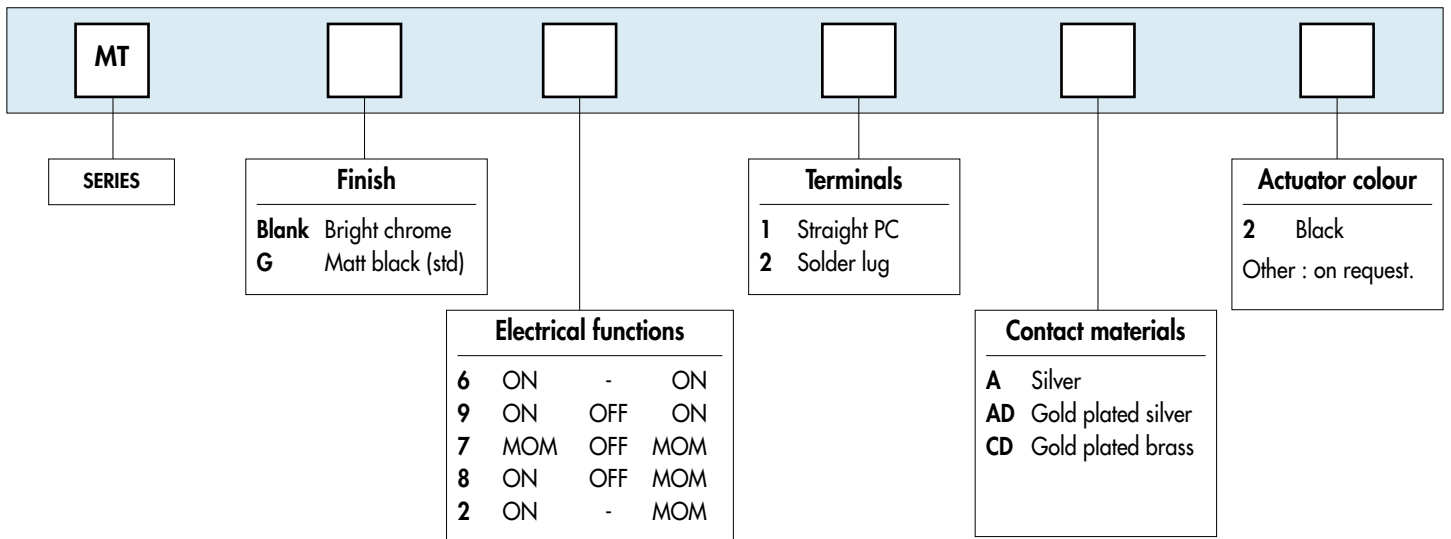


Packaging unit : 25 pieces or 50 pieces depending on model

MT series

Sealed selector switches

New!



To order a product, select the desired codes in the above overview.