

Discontinuation Notice of Model G6Z Series of Surface-mounting High-frequency Relay.

Product Discontinuation

Surface-mounting High-frequency Relay

Model G6Z(U)-1F[] (50 Ω)

Model G6Z(U)-1F[] (75 Ω)

Model G6Z(U)-1P[] (PCB terminal)

Model G6ZK-[] (2 coil latching)



Recommended Replacement

Surface-mounting High-frequency Relay

Model G6K(U)-2F-RF(-S, -T)-[]

No Recommended Replacement

No Recommended Replacement

No Recommended Replacement

[Discontinuation date]

The end of March, 2016

[Caution on recommended replacement]

There are some differences (Dimensions, Pin layout, Contact form, Ratings, Characteristics). Therefore, please re-evaluate adequacy with applications.

[Difference from discontinued product]

Recommended replacement Model	Body Color	Dimensions	Wire connection	Mounting Dimensions	Characteristics	Operation ratings	Operation methods
G6K(U)-2F-RF(-S, -T)-[]	--	--	--	--	--	--	--

** : Compatible

* : The change is a little/Almost compatible

-- : Not compatible

- : No corresponding specification

[Product Discontinuation and recommended replacement]

Product discontinuation	Recommended replacement
Model G6Z-1F-A DC3 BY OMZ	Model G6K-2F-RF DC3
	Model G6K-2F-RF-S DC3
	Model G6K-2F-RF-T DC3
Model G6Z-1F-A DC4.5 BY OMZ	Model G6K-2F-RF DC4.5
	Model G6K-2F-RF-S DC4.5
	Model G6K-2F-RF-T DC4.5
Model G6Z-1F-A DC5 BY OMZ	Model G6K-2F-RF DC5
	Model G6K-2F-RF-S DC5
	Model G6K-2F-RF-T DC5
Model G6Z-1F-A DC9 BY OMZ	Model G6K-2F-RF DC9
	Model G6K-2F-RF-S DC9
	Model G6K-2F-RF-T DC9

Product discontinuation	Recommended replacement
Model G6Z-1F-A DC12 BY OMZ	Model G6K-2F-RF DC12
	Model G6K-2F-RF-S DC12
	Model G6K-2F-RF-T DC12
Model G6Z-1F-A DC24 BY OMZ	Model G6K-2F-RF DC24
	Model G6K-2F-RF-S DC24
	Model G6K-2F-RF-T DC24
Model G6Z-1F-A DC4.5 BY OMZ/C	Model G6K-2F-RF DC4.5
	Model G6K-2F-RF-S DC4.5
	Model G6K-2F-RF-T DC4.5
Model G6Z-1F-A DC5 BY OMZ/C	Model G6K-2F-RF DC5
	Model G6K-2F-RF-S DC5
	Model G6K-2F-RF-T DC5
Model G6Z-1F-A DC9 BY OMZ/C	Model G6K-2F-RF DC9
	Model G6K-2F-RF-S DC9
	Model G6K-2F-RF-T DC9
Model G6Z-1F-A DC12 BY OMZ/C	Model G6K-2F-RF DC12
	Model G6K-2F-RF-S DC12
	Model G6K-2F-RF-T DC12
Model G6Z-1F-A DC24 BY OMZ/C	Model G6K-2F-RF DC24
	Model G6K-2F-RF-S DC24
	Model G6K-2F-RF-T DC24
Model G6Z-1F-A-TR DC3 BY OMZ	Model G6K-2F-RF-TR09 DC3
	Model G6K-2F-RF-S-TR09 DC3
	Model G6K-2F-RF-T-TR09 DC3
Model G6Z-1F-A-TR DC4.5 BY OMZ	Model G6K-2F-RF-TR09 DC4.5
	Model G6K-2F-RF-S-TR09 DC4.5
	Model G6K-2F-RF-T-TR09 DC4.5
Model G6Z-1F-A-TR DC5 BY OMZ	Model G6K-2F-RF-TR09 DC5
	Model G6K-2F-RF-S-TR09 DC5
	Model G6K-2F-RF-T-TR09 DC5
Model G6Z-1F-A-TR DC9 BY OMZ	Model G6K-2F-RF-TR09 DC9
	Model G6K-2F-RF-S-TR09 DC9
	Model G6K-2F-RF-T-TR09 DC9
Model G6Z-1F-A-TR DC12 BY OMZ	Model G6K-2F-RF-TR09 DC12
	Model G6K-2F-RF-S-TR09 DC12
	Model G6K-2F-RF-T-TR09 DC12
Model G6Z-1F-A-TR DC24 BY OMZ	Model G6K-2F-RF-TR09 DC24
	Model G6K-2F-RF-S-TR09 DC24
	Model G6K-2F-RF-T-TR09 DC24
Model G6Z-1F-A-TR DC4.5 BY OMZ/C	Model G6K-2F-RF-TR09 DC4.5
	Model G6K-2F-RF-S-TR09 DC4.5
	Model G6K-2F-RF-T-TR09 DC4.5
Model G6Z-1F-A-TR DC12 BY OMZ/C	Model G6K-2F-RF-TR09 DC12
	Model G6K-2F-RF-S-TR09 DC12
	Model G6K-2F-RF-T-TR09 DC12
Model G6Z-1F-AR DC3 BY OMZ	Model G6K-2F-RF DC3
	Model G6K-2F-RF-S DC3
	Model G6K-2F-RF-T DC3
Model G6Z-1F-AR DC4.5 BY OMZ	Model G6K-2F-RF DC4.5
	Model G6K-2F-RF-S DC4.5
	Model G6K-2F-RF-T DC4.5

Product discontinuation	Recommended replacement
Model G6Z-1F-AR DC5 BY OMZ	Model G6K-2F-RF DC5
	Model G6K-2F-RF-S DC5
	Model G6K-2F-RF-T DC5
Model G6Z-1F-AR DC9 BY OMZ	Model G6K-2F-RF DC9
	Model G6K-2F-RF-S DC9
	Model G6K-2F-RF-T DC9
Model G6Z-1F-AR DC12 BY OMZ	Model G6K-2F-RF DC12
	Model G6K-2F-RF-S DC12
	Model G6K-2F-RF-T DC12
Model G6Z-1F-AR DC24 BY OMZ	Model G6K-2F-RF DC24
	Model G6K-2F-RF-S DC24
	Model G6K-2F-RF-T DC24
Model G6Z-1F-AR DC4.5 BY OMZ/C	Model G6K-2F-RF DC4.5
	Model G6K-2F-RF-S DC4.5
	Model G6K-2F-RF-T DC4.5
Model G6Z-1F-AR DC5 BY OMZ/C	Model G6K-2F-RF DC5
	Model G6K-2F-RF-S DC5
	Model G6K-2F-RF-T DC5
Model G6Z-1F-AR DC9 BY OMZ/C	Model G6K-2F-RF DC9
	Model G6K-2F-RF-S DC9
	Model G6K-2F-RF-T DC9
Model G6Z-1F-AR DC12 BY OMZ/C	Model G6K-2F-RF DC12
	Model G6K-2F-RF-S DC12
	Model G6K-2F-RF-T DC12
Model G6Z-1F-AR DC24 BY OMZ/C	Model G6K-2F-RF DC24
	Model G6K-2F-RF-S DC24
	Model G6K-2F-RF-T DC24
Model G6Z-1F-AR-TR DC3 BY OMZ	Model G6K-2F-RF-TR09 DC3
	Model G6K-2F-RF-S-TR09 DC3
	Model G6K-2F-RF-T-TR09 DC3
Model G6Z-1F-AR-TR DC4.5 BY OMZ	Model G6K-2F-RF-TR09 DC4.5
	Model G6K-2F-RF-S-TR09 DC4.5
	Model G6K-2F-RF-T-TR09 DC4.5
Model G6Z-1F-AR-TR DC5 BY OMZ	Model G6K-2F-RF-TR09 DC5
	Model G6K-2F-RF-S-TR09 DC5
	Model G6K-2F-RF-T-TR09 DC5
Model G6Z-1F-AR-TR DC9 BY OMZ	Model G6K-2F-RF-TR09 DC9
	Model G6K-2F-RF-S-TR09 DC9
	Model G6K-2F-RF-T-TR09 DC9
Model G6Z-1F-AR-TR DC12 BY OMZ	Model G6K-2F-RF-TR09 DC12
	Model G6K-2F-RF-S-TR09 DC12
	Model G6K-2F-RF-T-TR09 DC12
Model G6Z-1F-AR-TR DC24 BY OMZ	Model G6K-2F-RF-TR09 DC24
	Model G6K-2F-RF-S-TR09 DC24
	Model G6K-2F-RF-T-TR09 DC24
Model G6Z-1F-AR-TR DC4.5 BY OMZ/C	Model G6K-2F-RF-TR09 DC4.5
	Model G6K-2F-RF-S-TR09 DC4.5
	Model G6K-2F-RF-T-TR09 DC4.5
Model G6Z-1F-AR-TR DC12 BY OMZ/C	Model G6K-2F-RF-TR09 DC12
	Model G6K-2F-RF-S-TR09 DC12
	Model G6K-2F-RF-T-TR09 DC12

Product discontinuation	Recommended replacement
Model G6Z-1FE-A DC3 BY OMZ	Model G6K-2F-RF DC3
	Model G6K-2F-RF-S DC3
	Model G6K-2F-RF-T DC3
Model G6Z-1FE-A DC4.5 BY OMZ	Model G6K-2F-RF DC4.5
	Model G6K-2F-RF-S DC4.5
	Model G6K-2F-RF-T DC4.5
Model G6Z-1FE-A DC5 BY OMZ	Model G6K-2F-RF DC5
	Model G6K-2F-RF-S DC5
	Model G6K-2F-RF-T DC5
Model G6Z-1FE-A DC9 BY OMZ	Model G6K-2F-RF DC9
	Model G6K-2F-RF-S DC9
	Model G6K-2F-RF-T DC9
Model G6Z-1FE-A DC12 BY OMZ	Model G6K-2F-RF DC12
	Model G6K-2F-RF-S DC12
	Model G6K-2F-RF-T DC12
Model G6Z-1FE-A DC24 BY OMZ	Model G6K-2F-RF DC24
	Model G6K-2F-RF-S DC24
	Model G6K-2F-RF-T DC24
Model G6Z-1FE-A DC3 BY OMZ/C	Model G6K-2F-RF DC3
	Model G6K-2F-RF-S DC3
	Model G6K-2F-RF-T DC3
Model G6Z-1FE-A DC4.5 BY OMZ/C	Model G6K-2F-RF DC4.5
	Model G6K-2F-RF-S DC4.5
	Model G6K-2F-RF-T DC4.5
Model G6Z-1FE-A DC5 BY OMZ/C	Model G6K-2F-RF DC5
	Model G6K-2F-RF-S DC5
	Model G6K-2F-RF-T DC5
Model G6Z-1FE-A DC9 BY OMZ/C	Model G6K-2F-RF DC9
	Model G6K-2F-RF-S DC9
	Model G6K-2F-RF-T DC9
Model G6Z-1FE-A DC12 BY OMZ/C	Model G6K-2F-RF DC12
	Model G6K-2F-RF-S DC12
	Model G6K-2F-RF-T DC12
Model G6Z-1FE-A DC24 BY OMZ/C	Model G6K-2F-RF DC24
	Model G6K-2F-RF-S DC24
	Model G6K-2F-RF-T DC24
Model G6Z-1FE-A-TR DC3 BY OMZ	Model G6K-2F-RF-TR09 DC3
	Model G6K-2F-RF-S-TR09 DC3
	Model G6K-2F-RF-T-TR09 DC3
Model G6Z-1FE-A-TR DC4.5 BY OMZ	Model G6K-2F-RF-TR09 DC4.5
	Model G6K-2F-RF-S-TR09 DC4.5
	Model G6K-2F-RF-T-TR09 DC4.5
Model G6Z-1FE-A-TR DC5 BY OMZ	Model G6K-2F-RF-TR09 DC5
	Model G6K-2F-RF-S-TR09 DC5
	Model G6K-2F-RF-T-TR09 DC5
Model G6Z-1FE-A-TR DC9 BY OMZ	Model G6K-2F-RF-TR09 DC9
	Model G6K-2F-RF-S-TR09 DC9
	Model G6K-2F-RF-T-TR09 DC9
Model G6Z-1FE-A-TR DC12 BY OMZ	Model G6K-2F-RF-TR09 DC12
	Model G6K-2F-RF-S-TR09 DC12
	Model G6K-2F-RF-T-TR09 DC12

Product discontinuation	Recommended replacement
Model G6Z-1FE-A-TR DC24 BY OMZ	Model G6K-2F-RF-TR09 DC24
	Model G6K-2F-RF-S-TR09 DC24
	Model G6K-2F-RF-T-TR09 DC24
Model G6Z-1FE-A-TR DC24 BY OMZ/C	Model G6K-2F-RF-TR09 DC24
	Model G6K-2F-RF-S-TR09 DC24
	Model G6K-2F-RF-T-TR09 DC24
Model G6Z-1FE-AR DC3 BY OMZ	Model G6K-2F-RF DC3
	Model G6K-2F-RF-S DC3
	Model G6K-2F-RF-T DC3
Model G6Z-1FE-AR DC4.5 BY OMZ	Model G6K-2F-RF DC4.5
	Model G6K-2F-RF-S DC4.5
	Model G6K-2F-RF-T DC4.5
Model G6Z-1FE-AR DC5 BY OMZ	Model G6K-2F-RF DC5
	Model G6K-2F-RF-S DC5
	Model G6K-2F-RF-T DC5
Model G6Z-1FE-AR DC9 BY OMZ	Model G6K-2F-RF DC9
	Model G6K-2F-RF-S DC9
	Model G6K-2F-RF-T DC9
Model G6Z-1FE-AR DC12 BY OMZ	Model G6K-2F-RF DC12
	Model G6K-2F-RF-S DC12
	Model G6K-2F-RF-T DC12
Model G6Z-1FE-AR DC24 BY OMZ	Model G6K-2F-RF DC24
	Model G6K-2F-RF-S DC24
	Model G6K-2F-RF-T DC24
Model G6Z-1FE-AR DC5 BY OMZ/C	Model G6K-2F-RF DC5
	Model G6K-2F-RF-S DC5
	Model G6K-2F-RF-T DC5
Model G6Z-1FE-AR-TR DC3 BY OMZ	Model G6K-2F-RF-TR09 DC3
	Model G6K-2F-RF-S-TR09 DC3
	Model G6K-2F-RF-T-TR09 DC3
Model G6Z-1FE-AR-TR DC4.5 BY OMZ	Model G6K-2F-RF-TR09 DC4.5
	Model G6K-2F-RF-S-TR09 DC4.5
	Model G6K-2F-RF-T-TR09 DC4.5
Model G6Z-1FE-AR-TR DC5 BY OMZ	Model G6K-2F-RF-TR09 DC5
	Model G6K-2F-RF-S-TR09 DC5
	Model G6K-2F-RF-T-TR09 DC5
Model G6Z-1FE-AR-TR DC9 BY OMZ	Model G6K-2F-RF-TR09 DC9
	Model G6K-2F-RF-S-TR09 DC9
	Model G6K-2F-RF-T-TR09 DC9
Model G6Z-1FE-AR-TR DC12 BY OMZ	Model G6K-2F-RF-TR09 DC12
	Model G6K-2F-RF-S-TR09 DC12
	Model G6K-2F-RF-T-TR09 DC12
Model G6Z-1FE-AR-TR DC24 BY OMZ	Model G6K-2F-RF-TR09 DC24
	Model G6K-2F-RF-S-TR09 DC24
	Model G6K-2F-RF-T-TR09 DC24
Model G6ZU-1F-A DC3 BY OMZ	Model G6KU-2F-RF DC3
	Model G6KU-2F-RF-S DC3
	Model G6KU-2F-RF-T DC3
Model G6ZU-1F-A DC4.5 BY OMZ	Model G6KU-2F-RF DC4.5
	Model G6KU-2F-RF-S DC4.5
	Model G6KU-2F-RF-T DC4.5

Product discontinuation	Recommended replacement
Model G6ZU-1F-A DC5 BY OMZ	Model G6KU-2F-RF DC5
	Model G6KU-2F-RF-S DC5
	Model G6KU-2F-RF-T DC5
Model G6ZU-1F-A DC9 BY OMZ	Model G6KU-2F-RF DC9
	Model G6KU-2F-RF-S DC9
	Model G6KU-2F-RF-T DC9
Model G6ZU-1F-A DC12 BY OMZ	Model G6KU-2F-RF DC12
	Model G6KU-2F-RF-S DC12
	Model G6KU-2F-RF-T DC12
Model G6ZU-1F-A DC24 BY OMZ	Model G6KU-2F-RF DC24
	Model G6KU-2F-RF-S DC24
	Model G6KU-2F-RF-T DC24
Model G6ZU-1F-A DC5 BY OMZ/C	Model G6KU-2F-RF DC5
	Model G6KU-2F-RF-S DC5
	Model G6KU-2F-RF-T DC5
Model G6ZU-1F-A DC12 BY OMZ/C	Model G6KU-2F-RF DC12
	Model G6KU-2F-RF-S DC12
	Model G6KU-2F-RF-T DC12
Model G6ZU-1F-A-TR DC3 BY OMZ	Model G6KU-2F-RF-TR09 DC3
	Model G6KU-2F-RF-S-TR09 DC3
	Model G6KU-2F-RF-T-TR09 DC3
Model G6ZU-1F-A-TR DC4.5 BY OMZ	Model G6KU-2F-RF-TR09 DC4.5
	Model G6KU-2F-RF-S-TR09 DC4.5
	Model G6KU-2F-RF-T-TR09 DC4.5
Model G6ZU-1F-A-TR DC5 BY OMZ	Model G6KU-2F-RF-TR09 DC5
	Model G6KU-2F-RF-S-TR09 DC5
	Model G6KU-2F-RF-T-TR09 DC5
Model G6ZU-1F-A-TR DC9 BY OMZ	Model G6KU-2F-RF-TR09 DC9
	Model G6KU-2F-RF-S-TR09 DC9
	Model G6KU-2F-RF-T-TR09 DC9
Model G6ZU-1F-A-TR DC12 BY OMZ	Model G6KU-2F-RF-TR09 DC12
	Model G6KU-2F-RF-S-TR09 DC12
	Model G6KU-2F-RF-T-TR09 DC12
Model G6ZU-1F-A-TR DC24 BY OMZ	Model G6KU-2F-RF-TR09 DC24
	Model G6KU-2F-RF-S-TR09 DC24
	Model G6KU-2F-RF-T-TR09 DC24
Model G6ZU-1FE-A DC3 BY OMZ	Model G6KU-2F-RF DC3
	Model G6KU-2F-RF-S DC3
	Model G6KU-2F-RF-T DC3
Model G6ZU-1FE-A DC4.5 BY OMZ	Model G6KU-2F-RF DC4.5
	Model G6KU-2F-RF-S DC4.5
	Model G6KU-2F-RF-T DC4.5
Model G6ZU-1FE-A DC5 BY OMZ	Model G6KU-2F-RF DC5
	Model G6KU-2F-RF-S DC5
	Model G6KU-2F-RF-T DC5
Model G6ZU-1FE-A DC9 BY OMZ	Model G6KU-2F-RF DC9
	Model G6KU-2F-RF-S DC9
	Model G6KU-2F-RF-T DC9
Model G6ZU-1FE-A DC12 BY OMZ	Model G6KU-2F-RF DC12
	Model G6KU-2F-RF-S DC12
	Model G6KU-2F-RF-T DC12

Product discontinuation	Recommended replacement
Model G6ZU-1FE-A DC24 BY OMZ	Model G6KU-2F-RF DC24
	Model G6KU-2F-RF-S DC24
	Model G6KU-2F-RF-T DC24
Model G6ZU-1FE-A DC5 BY OMZ/C	Model G6KU-2F-RF DC5
	Model G6KU-2F-RF-S DC5
	Model G6KU-2F-RF-T DC5
Model G6ZU-1FE-A DC12 BY OMZ/C	Model G6KU-2F-RF DC12
	Model G6KU-2F-RF-S DC12
	Model G6KU-2F-RF-T DC12
Model G6ZU-1FE-A DC24 BY OMZ/C	Model G6KU-2F-RF DC24
	Model G6KU-2F-RF-S DC24
	Model G6KU-2F-RF-T DC24
Model G6ZU-1FE-A-TR DC3 BY OMZ	Model G6KU-2F-RF-TR09 DC3
	Model G6KU-2F-RF-S-TR09 DC3
	Model G6KU-2F-RF-T-TR09 DC3
Model G6ZU-1FE-A-TR DC4.5 BY OMZ	Model G6KU-2F-RF-TR09 DC4.5
	Model G6KU-2F-RF-S-TR09 DC4.5
	Model G6KU-2F-RF-T-TR09 DC4.5
Model G6ZU-1FE-A-TR DC5 BY OMZ	Model G6KU-2F-RF-TR09 DC5
	Model G6KU-2F-RF-S-TR09 DC5
	Model G6KU-2F-RF-T-TR09 DC5
Model G6ZU-1FE-A-TR DC9 BY OMZ	Model G6KU-2F-RF-TR09 DC9
	Model G6KU-2F-RF-S-TR09 DC9
	Model G6KU-2F-RF-T-TR09 DC9
Model G6ZU-1FE-A-TR DC12 BY OMZ	Model G6KU-2F-RF-TR09 DC12
	Model G6KU-2F-RF-S-TR09 DC12
	Model G6KU-2F-RF-T-TR09 DC12
Model G6ZU-1FE-A-TR DC24 BY OMZ	Model G6KU-2F-RF-TR09 DC24
	Model G6KU-2F-RF-S-TR09 DC24
	Model G6KU-2F-RF-T-TR09 DC24
Model G6Z-1F DC3 BY OMZ	No recommended replacement
Model G6Z-1F DC4.5 BY OMZ	No recommended replacement
Model G6Z-1F DC5 BY OMZ	No recommended replacement
Model G6Z-1F DC9 BY OMZ	No recommended replacement
Model G6Z-1F DC12 BY OMZ	No recommended replacement
Model G6Z-1F DC24 BY OMZ	No recommended replacement
Model G6Z-1F DC3 BY OMZ/C	No recommended replacement
Model G6Z-1F DC5 BY OMZ/C	No recommended replacement
Model G6Z-1F DC9 BY OMZ/C	No recommended replacement
Model G6Z-1F DC12 BY OMZ/C	No recommended replacement
Model G6Z-1F-TR DC3 BY OMZ	No recommended replacement
Model G6Z-1F-TR DC4.5 BY OMZ	No recommended replacement
Model G6Z-1F-TR DC5 BY OMZ	No recommended replacement
Model G6Z-1F-TR DC9 BY OMZ	No recommended replacement
Model G6Z-1F-TR DC12 BY OMZ	No recommended replacement
Model G6Z-1F-TR DC24 BY OMZ	No recommended replacement
Model G6Z-1F-R DC3 BY OMZ	No recommended replacement
Model G6Z-1F-R DC4.5 BY OMZ	No recommended replacement
Model G6Z-1F-R DC5 BY OMZ	No recommended replacement
Model G6Z-1F-R DC9 BY OMZ	No recommended replacement
Model G6Z-1F-R DC12 BY OMZ	No recommended replacement

Product discontinuation	Recommended replacement
Model G6Z-1F-R DC24 BY OMZ	No recommended replacement
Model G6Z-1F-R-TR DC3 BY OMZ	No recommended replacement
Model G6Z-1F-R-TR DC4.5 BY OMZ	No recommended replacement
Model G6Z-1F-R-TR DC5 BY OMZ	No recommended replacement
Model G6Z-1F-R-TR DC9 BY OMZ	No recommended replacement
Model G6Z-1F-R-TR DC12 BY OMZ	No recommended replacement
Model G6Z-1F-R-TR DC24 BY OMZ	No recommended replacement
Model G6Z-1FE DC3 BY OMZ	No recommended replacement
Model G6Z-1FE DC4.5 BY OMZ	No recommended replacement
Model G6Z-1FE DC5 BY OMZ	No recommended replacement
Model G6Z-1FE DC9 BY OMZ	No recommended replacement
Model G6Z-1FE DC12 BY OMZ	No recommended replacement
Model G6Z-1FE DC24 BY OMZ	No recommended replacement
Model G6Z-1FE DC3 BY OMZ/C	No recommended replacement
Model G6Z-1FE DC5 BY OMZ/C	No recommended replacement
Model G6Z-1FE DC9 BY OMZ/C	No recommended replacement
Model G6Z-1FE DC12 BY OMZ/C	No recommended replacement
Model G6Z-1FE DC24 BY OMZ/C	No recommended replacement
Model G6Z-1FE-TR DC3 BY OMZ	No recommended replacement
Model G6Z-1FE-TR DC4.5 BY OMZ	No recommended replacement
Model G6Z-1FE-TR DC5 BY OMZ	No recommended replacement
Model G6Z-1FE-TR DC9 BY OMZ	No recommended replacement
Model G6Z-1FE-TR DC12 BY OMZ	No recommended replacement
Model G6Z-1FE-TR DC24 BY OMZ	No recommended replacement
Model G6Z-1FE-R DC3 BY OMZ	No recommended replacement
Model G6Z-1FE-R DC4.5 BY OMZ	No recommended replacement
Model G6Z-1FE-R DC5 BY OMZ	No recommended replacement
Model G6Z-1FE-R DC9 BY OMZ	No recommended replacement
Model G6Z-1FE-R DC12 BY OMZ	No recommended replacement
Model G6Z-1FE-R DC24 BY OMZ	No recommended replacement
Model G6Z-1FE-R-TR DC3 BY OMZ	No recommended replacement
Model G6Z-1FE-R-TR DC4.5 BY OMZ	No recommended replacement
Model G6Z-1FE-R-TR DC5 BY OMZ	No recommended replacement
Model G6Z-1FE-R-TR DC9 BY OMZ	No recommended replacement
Model G6Z-1FE-R-TR DC12 BY OMZ	No recommended replacement
Model G6Z-1FE-R-TR DC24 BY OMZ	No recommended replacement
Model G6Z-1P DC3 BY OMZ	No recommended replacement
Model G6Z-1P DC4.5 BY OMZ	No recommended replacement
Model G6Z-1P DC5 BY OMZ	No recommended replacement
Model G6Z-1P DC9 BY OMZ	No recommended replacement
Model G6Z-1P DC12 BY OMZ	No recommended replacement
Model G6Z-1P DC24 BY OMZ	No recommended replacement
Model G6Z-1P DC5 BY OMZ/C	No recommended replacement
Model G6Z-1P DC9 BY OMZ/C	No recommended replacement
Model G6Z-1P DC12 BY OMZ/C	No recommended replacement
Model G6Z-1P DC24 BY OMZ/C	No recommended replacement
Model G6Z-1P-A DC3 BY OMZ	No recommended replacement
Model G6Z-1P-A DC4.5 BY OMZ	No recommended replacement
Model G6Z-1P-A DC5 BY OMZ	No recommended replacement
Model G6Z-1P-A DC9 BY OMZ	No recommended replacement
Model G6Z-1P-A DC12 BY OMZ	No recommended replacement

Product discontinuation	Recommended replacement
Model G6Z-1P-A DC24 BY OMZ	No recommended replacement
Model G6Z-1P-A DC4.5 BY OMZ/C	No recommended replacement
Model G6Z-1P-A DC5 BY OMZ/C	No recommended replacement
Model G6Z-1P-A DC9 BY OMZ/C	No recommended replacement
Model G6Z-1P-A DC12 BY OMZ/C	No recommended replacement
Model G6Z-1P-A DC24 BY OMZ/C	No recommended replacement
Model G6Z-1P-R DC3 BY OMZ	No recommended replacement
Model G6Z-1P-R DC4.5 BY OMZ	No recommended replacement
Model G6Z-1P-R DC5 BY OMZ	No recommended replacement
Model G6Z-1P-R DC9 BY OMZ	No recommended replacement
Model G6Z-1P-R DC12 BY OMZ	No recommended replacement
Model G6Z-1P-R DC24 BY OMZ	No recommended replacement
Model G6Z-1P-R DC24 BY OMZ/C	No recommended replacement
Model G6Z-1P-AR DC3 BY OMZ	No recommended replacement
Model G6Z-1P-AR DC4.5 BY OMZ	No recommended replacement
Model G6Z-1P-AR DC5 BY OMZ	No recommended replacement
Model G6Z-1P-AR DC9 BY OMZ	No recommended replacement
Model G6Z-1P-AR DC12 BY OMZ	No recommended replacement
Model G6Z-1P-AR DC24 BY OMZ	No recommended replacement
Model G6Z-1P-AR DC4.5 BY OMZ/C	No recommended replacement
Model G6Z-1P-AR DC5 BY OMZ/C	No recommended replacement
Model G6Z-1P-AR DC9 BY OMZ/C	No recommended replacement
Model G6Z-1P-AR DC12 BY OMZ/C	No recommended replacement
Model G6Z-1P-AR DC24 BY OMZ/C	No recommended replacement
Model G6Z-1PE DC3 BY OMZ	No recommended replacement
Model G6Z-1PE DC4.5 BY OMZ	No recommended replacement
Model G6Z-1PE DC5 BY OMZ	No recommended replacement
Model G6Z-1PE DC9 BY OMZ	No recommended replacement
Model G6Z-1PE DC12 BY OMZ	No recommended replacement
Model G6Z-1PE DC24 BY OMZ	No recommended replacement
Model G6Z-1PE DC5 BY OMZ/C	No recommended replacement
Model G6Z-1PE DC9 BY OMZ/C	No recommended replacement
Model G6Z-1PE DC12 BY OMZ/C	No recommended replacement
Model G6Z-1PE DC24 BY OMZ/C	No recommended replacement
Model G6Z-1PE DC12 BY OMZ/D	No recommended replacement
Model G6Z-1PE-A DC3 BY OMZ	No recommended replacement
Model G6Z-1PE-A DC4.5 BY OMZ	No recommended replacement
Model G6Z-1PE-A DC5 BY OMZ	No recommended replacement
Model G6Z-1PE-A DC9 BY OMZ	No recommended replacement
Model G6Z-1PE-A DC12 BY OMZ	No recommended replacement
Model G6Z-1PE-A DC24 BY OMZ	No recommended replacement
Model G6Z-1PE-A DC3 BY OMZ/C	No recommended replacement
Model G6Z-1PE-A DC5 BY OMZ/C	No recommended replacement
Model G6Z-1PE-A DC12 BY OMZ/C	No recommended replacement
Model G6Z-1PE-A DC24 BY OMZ/C	No recommended replacement
Model G6Z-1PE-R DC3 BY OMZ	No recommended replacement
Model G6Z-1PE-R DC4.5 BY OMZ	No recommended replacement
Model G6Z-1PE-R DC5 BY OMZ	No recommended replacement
Model G6Z-1PE-R DC9 BY OMZ	No recommended replacement
Model G6Z-1PE-R DC12 BY OMZ	No recommended replacement
Model G6Z-1PE-R DC24 BY OMZ	No recommended replacement

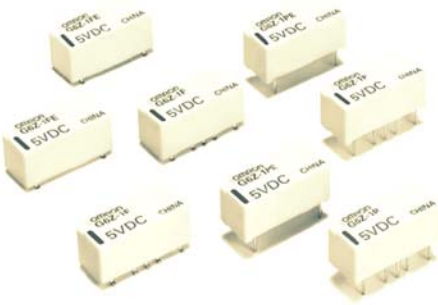
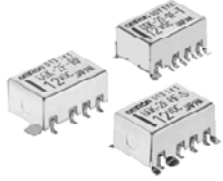
Product discontinuation	Recommended replacement
Model G6Z-1PE-AR DC3 BY OMZ	No recommended replacement
Model G6Z-1PE-AR DC4.5 BY OMZ	No recommended replacement
Model G6Z-1PE-AR DC5 BY OMZ	No recommended replacement
Model G6Z-1PE-AR DC9 BY OMZ	No recommended replacement
Model G6Z-1PE-AR DC12 BY OMZ	No recommended replacement
Model G6Z-1PE-AR DC24 BY OMZ	No recommended replacement
Model G6Z-1PE-AR DC12 BY OMZ/C	No recommended replacement
Model G6ZU-1F DC3 BY OMZ	No recommended replacement
Model G6ZU-1F DC4.5 BY OMZ	No recommended replacement
Model G6ZU-1F DC5 BY OMZ	No recommended replacement
Model G6ZU-1F DC9 BY OMZ	No recommended replacement
Model G6ZU-1F DC12 BY OMZ	No recommended replacement
Model G6ZU-1F DC24 BY OMZ	No recommended replacement
Model G6ZU-1F DC5 BY OMZ/C	No recommended replacement
Model G6ZU-1F DC12 BY OMZ/C	No recommended replacement
Model G6ZU-1F-TR DC9 BY OMZ	No recommended replacement
Model G6ZU-1F-TR DC5 BY OMZ	No recommended replacement
Model G6ZU-1F-TR DC4.5 BY OMZ	No recommended replacement
Model G6ZU-1F-TR DC3 BY OMZ	No recommended replacement
Model G6ZU-1F-TR DC24 BY OMZ	No recommended replacement
Model G6ZU-1F-TR DC12 BY OMZ	No recommended replacement
Model G6ZU-1F-TR DC5 BY OMZ/C	No recommended replacement
Model G6ZU-1FE DC3 BY OMZ	No recommended replacement
Model G6ZU-1FE DC4.5 BY OMZ	No recommended replacement
Model G6ZU-1FE DC5 BY OMZ	No recommended replacement
Model G6ZU-1FE DC9 BY OMZ	No recommended replacement
Model G6ZU-1FE DC12 BY OMZ	No recommended replacement
Model G6ZU-1FE DC24 BY OMZ	No recommended replacement
Model G6ZU-1FE DC5 BY OMZ/C	No recommended replacement
Model G6ZU-1FE DC12 BY OMZ/C	No recommended replacement
Model G6ZU-1FE-TR DC9 BY OMZ	No recommended replacement
Model G6ZU-1FE-TR DC5 BY OMZ	No recommended replacement
Model G6ZU-1FE-TR DC4.5 BY OMZ	No recommended replacement
Model G6ZU-1FE-TR DC3 BY OMZ	No recommended replacement
Model G6ZU-1FE-TR DC24 BY OMZ	No recommended replacement
Model G6ZU-1FE-TR DC12 BY OMZ	No recommended replacement
Model G6ZU-1P DC9 BY OMZ	No recommended replacement
Model G6ZU-1P DC5 BY OMZ	No recommended replacement
Model G6ZU-1P DC4.5 BY OMZ	No recommended replacement
Model G6ZU-1P DC3 BY OMZ	No recommended replacement
Model G6ZU-1P DC24 BY OMZ	No recommended replacement
Model G6ZU-1P DC12 BY OMZ	No recommended replacement
Model G6ZU-1P DC5 BY OMZ/C	No recommended replacement
Model G6ZU-1P DC12 BY OMZ/C	No recommended replacement
Model G6ZU-1P-A DC9 BY OMZ	No recommended replacement
Model G6ZU-1P-A DC5 BY OMZ	No recommended replacement
Model G6ZU-1P-A DC4.5 BY OMZ	No recommended replacement
Model G6ZU-1P-A DC3 BY OMZ	No recommended replacement
Model G6ZU-1P-A DC24 BY OMZ	No recommended replacement
Model G6ZU-1P-A DC12 BY OMZ	No recommended replacement
Model G6ZU-1P-A DC5 BY OMZ/C	No recommended replacement

Product discontinuation	Recommended replacement
Model G6ZU-1P-A DC12 BY OMZ/C	No recommended replacement
Model G6ZU-1PE DC9 BY OMZ	No recommended replacement
Model G6ZU-1PE DC5 BY OMZ	No recommended replacement
Model G6ZU-1PE DC4.5 BY OMZ	No recommended replacement
Model G6ZU-1PE DC3 BY OMZ	No recommended replacement
Model G6ZU-1PE DC24 BY OMZ	No recommended replacement
Model G6ZU-1PE DC12 BY OMZ	No recommended replacement
Model G6ZU-1PE DC5 BY OMZ/C	No recommended replacement
Model G6ZU-1PE DC12 BY OMZ/C	No recommended replacement
Model G6ZU-1PE-A DC9 BY OMZ	No recommended replacement
Model G6ZU-1PE-A DC5 BY OMZ	No recommended replacement
Model G6ZU-1PE-A DC4.5 BY OMZ	No recommended replacement
Model G6ZU-1PE-A DC3 BY OMZ	No recommended replacement
Model G6ZU-1PE-A DC24 BY OMZ	No recommended replacement
Model G6ZU-1PE-A DC12 BY OMZ	No recommended replacement
Model G6ZU-1PE-A DC5 BY OMZ/C	No recommended replacement
Model G6ZU-1PE-A DC12 BY OMZ/C	No recommended replacement
Model G6ZK-1F DC3 BY OMZ	No recommended replacement
Model G6ZK-1F DC4.5 BY OMZ	No recommended replacement
Model G6ZK-1F DC5 BY OMZ	No recommended replacement
Model G6ZK-1F DC9 BY OMZ	No recommended replacement
Model G6ZK-1F DC12 BY OMZ	No recommended replacement
Model G6ZK-1F DC24 BY OMZ	No recommended replacement
Model G6ZK-1F DC5 BY OMZ/C	No recommended replacement
Model G6ZK-1F DC12 BY OMZ/C	No recommended replacement
Model G6ZK-1F-TR DC3 BY OMZ	No recommended replacement
Model G6ZK-1F-TR DC4.5 BY OMZ	No recommended replacement
Model G6ZK-1F-TR DC5 BY OMZ	No recommended replacement
Model G6ZK-1F-TR DC9 BY OMZ	No recommended replacement
Model G6ZK-1F-TR DC12 BY OMZ	No recommended replacement
Model G6ZK-1F-TR DC24 BY OMZ	No recommended replacement
Model G6ZK-1F-A DC3 BY OMZ	No recommended replacement
Model G6ZK-1F-A DC4.5 BY OMZ	No recommended replacement
Model G6ZK-1F-A DC5 BY OMZ	No recommended replacement
Model G6ZK-1F-A DC9 BY OMZ	No recommended replacement
Model G6ZK-1F-A DC12 BY OMZ	No recommended replacement
Model G6ZK-1F-A DC24 BY OMZ	No recommended replacement
Model G6ZK-1F-A DC4.5 BY OMZ/C	No recommended replacement
Model G6ZK-1F-A DC5 BY OMZ/C	No recommended replacement
Model G6ZK-1F-A DC12 BY OMZ/C	No recommended replacement
Model G6ZK-1F-A DC24 BY OMZ/C	No recommended replacement
Model G6ZK-1F-A-TR DC3 BY OMZ	No recommended replacement
Model G6ZK-1F-A-TR DC4.5 BY OMZ	No recommended replacement
Model G6ZK-1F-A-TR DC5 BY OMZ	No recommended replacement
Model G6ZK-1F-A-TR DC9 BY OMZ	No recommended replacement
Model G6ZK-1F-A-TR DC12 BY OMZ	No recommended replacement
Model G6ZK-1F-A-TR DC24 BY OMZ	No recommended replacement
Model G6ZK-1FE DC3 BY OMZ	No recommended replacement
Model G6ZK-1FE DC4.5 BY OMZ	No recommended replacement
Model G6ZK-1FE DC5 BY OMZ	No recommended replacement
Model G6ZK-1FE DC9 BY OMZ	No recommended replacement

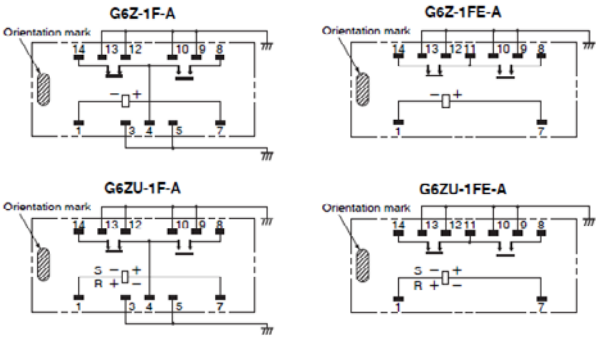
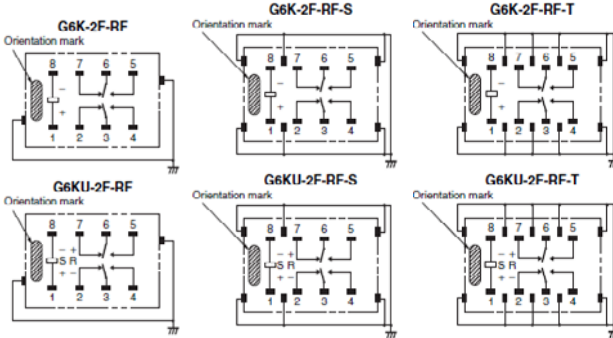
Product discontinuation	Recommended replacement
Model G6ZK-1FE DC12 BY OMZ	No recommended replacement
Model G6ZK-1FE DC24 BY OMZ	No recommended replacement
Model G6ZK-1FE DC5 BY OMZ/C	No recommended replacement
Model G6ZK-1FE DC12 BY OMZ/C	No recommended replacement
Model G6ZK-1FE-TR DC3 BY OMZ	No recommended replacement
Model G6ZK-1FE-TR DC4.5 BY OMZ	No recommended replacement
Model G6ZK-1FE-TR DC5 BY OMZ	No recommended replacement
Model G6ZK-1FE-TR DC9 BY OMZ	No recommended replacement
Model G6ZK-1FE-TR DC12 BY OMZ	No recommended replacement
Model G6ZK-1FE-TR DC24 BY OMZ	No recommended replacement
Model G6ZK-1FE-A DC3 BY OMZ	No recommended replacement
Model G6ZK-1FE-A DC4.5 BY OMZ	No recommended replacement
Model G6ZK-1FE-A DC5 BY OMZ	No recommended replacement
Model G6ZK-1FE-A DC9 BY OMZ	No recommended replacement
Model G6ZK-1FE-A DC12 BY OMZ	No recommended replacement
Model G6ZK-1FE-A DC24 BY OMZ	No recommended replacement
Model G6ZK-1FE-A DC5 BY OMZ/C	No recommended replacement
Model G6ZK-1FE-A DC12 BY OMZ/C	No recommended replacement
Model G6ZK-1FE-A-TR DC9 BY OMZ	No recommended replacement
Model G6ZK-1FE-A-TR DC3 BY OMZ	No recommended replacement
Model G6ZK-1FE-A-TR DC4.5 BY OMZ	No recommended replacement
Model G6ZK-1FE-A-TR DC5 BY OMZ	No recommended replacement
Model G6ZK-1FE-A-TR DC12 BY OMZ	No recommended replacement
Model G6ZK-1FE-A-TR DC24 BY OMZ	No recommended replacement
Model G6ZK-1P DC3 BY OMZ	No recommended replacement
Model G6ZK-1P DC4.5 BY OMZ	No recommended replacement
Model G6ZK-1P DC5 BY OMZ	No recommended replacement
Model G6ZK-1P DC9 BY OMZ	No recommended replacement
Model G6ZK-1P DC12 BY OMZ	No recommended replacement
Model G6ZK-1P DC24 BY OMZ	No recommended replacement
Model G6ZK-1P DC5 BY OMZ/C	No recommended replacement
Model G6ZK-1P DC12 BY OMZ/C	No recommended replacement
Model G6ZK-1P-A DC3 BY OMZ	No recommended replacement
Model G6ZK-1P-A DC4.5 BY OMZ	No recommended replacement
Model G6ZK-1P-A DC5 BY OMZ	No recommended replacement
Model G6ZK-1P-A DC9 BY OMZ	No recommended replacement
Model G6ZK-1P-A DC12 BY OMZ	No recommended replacement
Model G6ZK-1P-A DC24 BY OMZ	No recommended replacement
Model G6ZK-1P-A DC12 BY OMZ/C	No recommended replacement
Model G6ZK-1PE DC24 BY OMZ	No recommended replacement
Model G6ZK-1PE DC3 BY OMZ	No recommended replacement
Model G6ZK-1PE DC4.5 BY OMZ	No recommended replacement
Model G6ZK-1PE DC5 BY OMZ	No recommended replacement
Model G6ZK-1PE DC9 BY OMZ	No recommended replacement
Model G6ZK-1PE DC12 BY OMZ	No recommended replacement
Model G6ZK-1PE DC5 BY OMZ/C	No recommended replacement
Model G6ZK-1PE DC12 BY OMZ/C	No recommended replacement
Model G6ZK-1PE-A DC3 BY OMZ	No recommended replacement
Model G6ZK-1PE-A DC4.5 BY OMZ	No recommended replacement
Model G6ZK-1PE-A DC5 BY OMZ	No recommended replacement
Model G6ZK-1PE-A DC9 BY OMZ	No recommended replacement

Product discontinuation	Recommended replacement
Model G6ZK-1PE-A DC12 BY OMZ	No recommended replacement
Model G6ZK-1PE-A DC24 BY OMZ	No recommended replacement
Model G6ZK-1PE-A DC5 BY OMZ/C	No recommended replacement
Model G6ZK-1PE-A DC12 BY OMZ/C	No recommended replacement

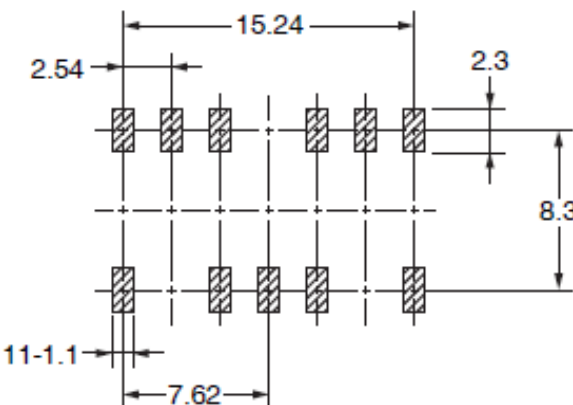
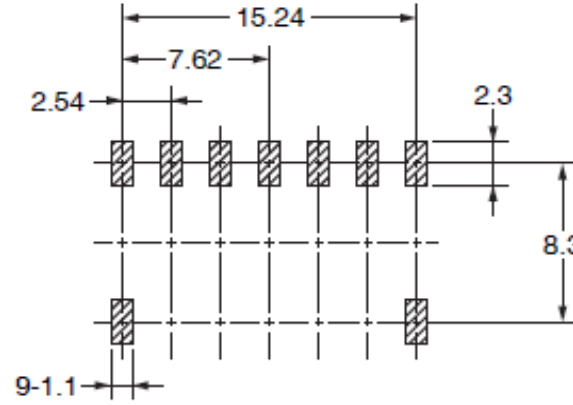
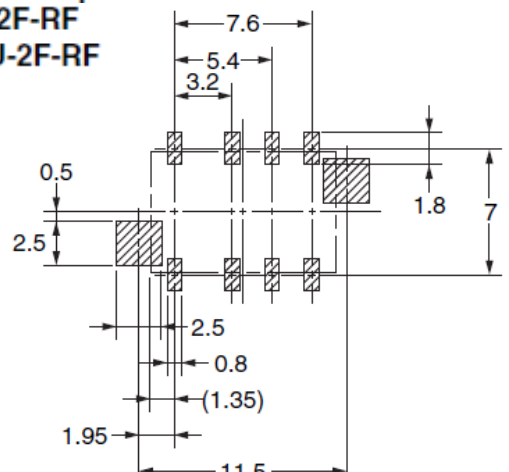
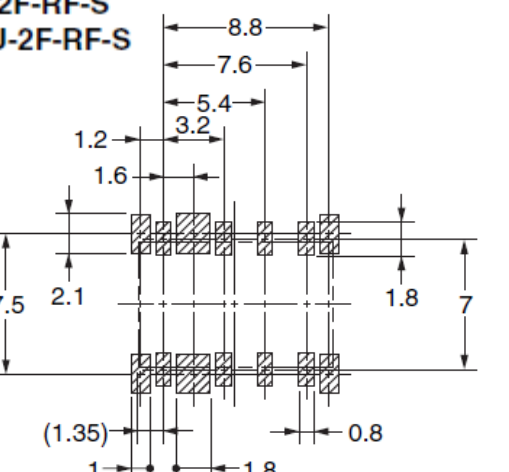
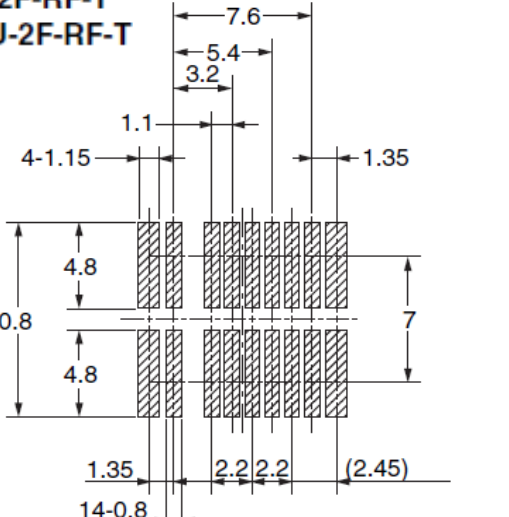
[Body color]

Product Discontinuation Model G6Z series	Recommended Replacement Model G6K(U)-2F-RF(-S, -T)-□
Ivory 	Silver 

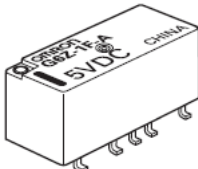
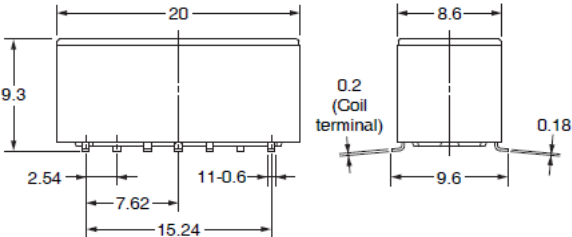
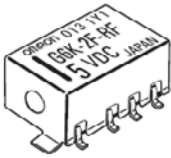
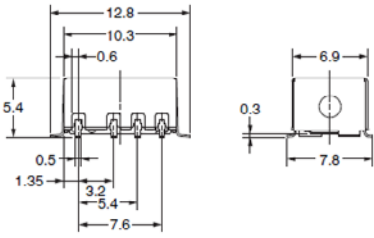
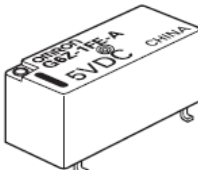
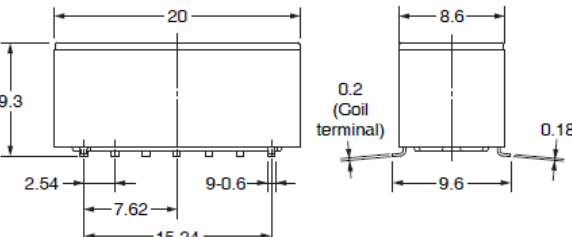
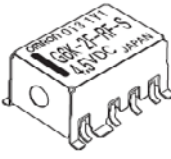
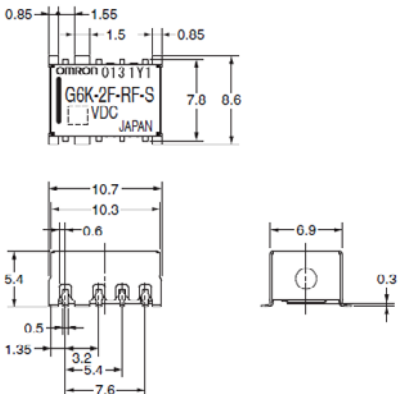
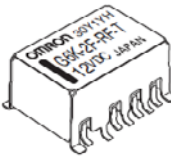
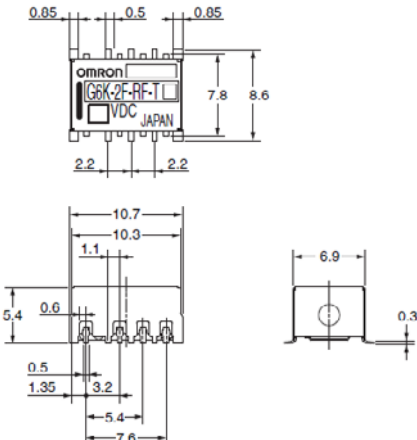
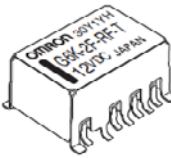
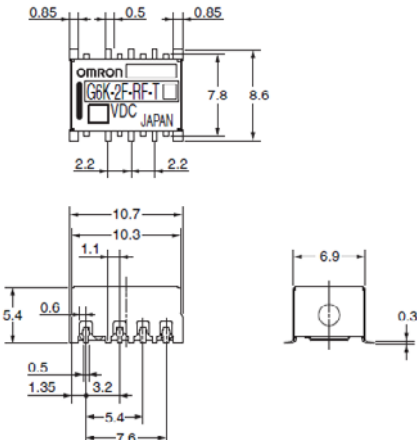
[Wire connection]

Product discontinuation Model G6Z series	Recommendable replacement Model G6K(U)-2F-RF(-S, -T)-□
<p>Model G6Z(U)-1F□ (50 Ω) Terminal arrangement / Internal connections (TOP VIEW)</p> 	<p>Terminal arrangement / Internal connections (TOP VIEW)</p> 

[Mounting dimensions]

<p>Product discontinuation Model G6Z series</p>	<p>Recommendable replacement Model G6K(U)-2F-RF(-S, -T)-□</p>
<p>Model G6Z(U)-1F□ (50 Ω) Mounting dimensions (TOP VIEW) Tolerance ±0.1mm</p> <p>G6Z-1F-A G6ZU-1F-A</p>  <p>G6Z-1FE-A G6ZU-1FE-A</p> 	<p>Mounting dimensions (TOP VIEW) Tolerance ±0.1mm</p> <p>Standard Specifications G6K-2F-RF G6KU-2F-RF</p>  <p>Board space-saving model G6K-2F-RF-S G6KU-2F-RF-S</p>  <p>Compatible with 3 GHz G6K-2F-RF-T G6KU-2F-RF-T</p> 

[Dimensions]

<p>Product discontinuation Model G6Z series</p>	<p>Recommendable replacement Model G6K(U)-2F-RF(-S, -T)-□</p>
<p>Model G6Z(U)-1F□ (50 Ω)</p> <p>G6Z-1F-A G6ZU-1F-A</p>   <p>Note 1. Each value has a tolerance of ± 0.3 mm. Note 2. The coplanarity of the terminals is 0.1 mm max.</p>	<p>Standard Specifications G6K-2F-RF G6KU-2F-RF</p>   <p>Note 1. Each value has a tolerance of ± 0.3 mm. Note 2. The coplanarity of the terminals is 0.15 mm max.</p>
<p>G6Z-1FE-A G6ZU-1FE-A</p>   <p>Note 1. Each value has a tolerance of ± 0.3 mm. Note 2. The coplanarity of the terminals is 0.1 mm max.</p>	<p>Board space-saving model G6K-2F-RF-S G6KU-2F-RF-S</p>   <p>Note 1. Each value has a tolerance of ± 0.3 mm. Note 2. The coplanarity of the terminals is 0.15 mm max.</p>
<p>G6K-2F-RF-T G6KU-2F-RF-T</p>   <p>Note 1. Each value has a tolerance of ± 0.3 mm. Note 2. The coplanarity of the terminals is 0.15 mm max.</p>	<p>Compatible with 3 GHz G6K-2F-RF-T G6KU-2F-RF-T</p>   <p>Note 1. Each value has a tolerance of ± 0.3 mm. Note 2. The coplanarity of the terminals is 0.15 mm max.</p>

[Characteristics]

Item	Product discontinuation Model G6Z series	Recommendable replacement Model G6K(U)-2F-RF(-S, -T)-□
Ratings of Contacts		
Rated load	30 VAC 10 mA 30 VDC 10 mA 900 MHz 10 W * * Impedance 50, 75 Ω With a V.SWR of 1.2 max.	125 VAC 0.3 A 30 VDC 1 A 1 GHz 1 W * * Impedance 50 Ω With a V.SWR of 1.2 max.
Rated carry current	0.5 A	1 A
Max. switching voltage	30 VAC, 30 VDC	125 VAC, 60 VDC
Max. switching current	0.5 A	1 A
Ratings of High-frequency Characteristics		
	Please see table 1.	Please see table 2.
Ratings of coil		
Rated voltage	3/4.5/5/9/12/24 VDC	3/4.5/5/9/12/24 VDC
Must operate (set) voltage (Latching models value)	75% max. (75% max.)	80% max. (75% max.)
Must release (release) voltage (Latching models value)	10% min. (75% max.)	10% min. (75% max.)
Maximum voltage	150%	150%
Power consumption (2-coil latching models value)	Approx. 200 mW (Approx. 360 mW)	Approx. 100 mW
Characteristics		
Contact resistance	100 mΩ max.	100 mΩ max.
Operating (set) time	10 ms max.	3 ms max.
Release (reset) time	10 ms max.	3 ms max.
Insulation resistance (at 500 VDC)	100 MΩ min.	1,000 MΩ min.
Dielectric strength (Between coil and contacts)	1000 VAC, 50/60 Hz 1 min	750 VAC, 50/60 Hz 1 min
Dielectric strength (Between GND and coil / contacts)	500 VAC, 50/60 Hz 1 min	500 VAC, 50/60 Hz 1 min
Dielectric strength (Between contacts of same polarity)	500 VAC, 50/60 Hz 1 min	750 VAC, 50/60 Hz 1 min
Vibration resistance	10 to 55 to 10 Hz 0.75 mm single amplitude	10 to 55 to 10 Hz 2.5 mm single amplitude
Vibration malfunction	10 to 55 to 10 Hz 0.75 mm single amplitude	10 to 55 to 10 Hz 1.65 mm single amplitude
Shock resistance	1,000 m/s ²	1,000 m/s ²
Shock malfunction	500 m/s ²	750 m/s ²
Mechanical durability	1,000,000 operations min. (at 36,000 operations/hour)	50,000,000 operations min. (at 36,000 operations/hour)
Electrical durability	300,000 operations min. (30 VAC 10 mA/ 30 VDC 10 mA) 100,000 operations min. (900 MHz 10 W) (at 1,800 operations/hour)	100,000 operations min. (at contact ratings) (at 1,800 operations/hour)
Ambient operating temperature	-40 to 70°C	-40 to 70°C
Ambient operating humidity	5% to 85%	5% to 85%
Weight	Approx. 2.8 g	Approx. 0.95 g

Table 1. Product discontinuation Model G6Z series

● High-frequency Characteristics *1

Frequency		900MHz				2.6GHz			
		TH		SMD		TH		SMD	
		E-shape	Y-shape	E-shape	Y-shape	E-shape	Y-shape	E-shape	Y-shape
Isolation	75 Ω	65 dB min.		60dB min.		35 dB min.	45 dB min.	30 dB min.	40 dB min.
	50 Ω	60 dB min.							
Insertion loss (not including substrate loss)	75 Ω	0.2 dB max.				0.5 dB max.			
	50 Ω	0.1 dB max.				0.3 dB max.			
V.SWR	75 Ω	1.2 dB max.				1.5 dB max.			
	50 Ω	1.1 dB max.				1.3 dB max.			
Return loss	75 Ω	20.8 dB min.				14.0 dB min.			
	50 Ω	26.4 dB min.				17.7 dB min.			
Maximum carry power		10W *2							

Note. The above values are initial values.

*1. Contact your OMRON representative if the Relay will be used in applications that require high repeatability with high-frequency characteristics in microload regions.

*2. These values are for an impedance of 50 Ω or 75 Ω with a V.SWR of 1.2 max.

Table 2. Recommendable replacement Model G6K(U)-2F-RF(-S, -T)-[]

* Surface mounting terminal & Characteristic impedance 50 Ω only.

● High-frequency Characteristics *1

Item	Model Frequency	G6K(U)-2F-RF(-S, -T)	G6K(U)-2F-RF-T
		1GHz	3GHz
Isolation	Between contacts of the same polarity	20 dB min.	18 dB min.
	Between contacts of different polarity	30 dB min.	25 dB min.
Insertion loss		0.2 dB max.	0.6 dB max.
V.SWR		1.2 max.	1.4 max.
Maximum carry power		3W *2	
Maximum switching power		1W *2	

Note 1. The impedance of the measurement system is 50 Ω.

Note 2. The above values are initial values.

*1. Contact your OMRON representative if the Relay will be used in an application that requires high repeatability in high-frequency characteristics for the microload region. (Such applications include testing and measurement equipment and ATE applications.)

*2. These values are for a V.SWR of 1.2 max. at the load.

Specifications and prices in this product news are as of the issue date and are subject to change without notice. Only main changes in specifications are described in this document. Please be sure to read the relevant catalogs, datasheets, product specifications, instructions, and manuals for precautions and necessary information when using products.