

Product Discontinuation Notices

Issue Date
March 3, 2014

Signal Relays

No. 2014027CE(ON)

Discontinuation Notice of MOS FET Relays G3VM Series (partially).

Product Discontinuation

MOS FET Relays



Model G3VM-61VY
Model G3VM-61VY(TR)



Recommended Replacement

MOS FET Relays

Model G3VM-61VY1
Model G3VM-61VY1(TR)

[Discontinuation date]

The end of March, 2015

[Caution on recommended replacement]

At replacement relay, Continuous load current and Trigger LED forward Current are upward compatible. Dimensions, LED forward current and voltage and Turn-OFF time is little difference. Please confirm below Characteristics and Operation ratings.

[Difference from discontinued product]

| Recommended replacement Model | Body Color | Dimensions | Wire connection | Mounting Dimensions | Characteristics | Operation ratings | Operation methods |
|-------------------------------|------------|------------|-----------------|---------------------|-----------------|-------------------|-------------------|
| G3VM-61VY1 | -- | * | ** | ** | * | * | ** |
| G3VM-61VY1(TR) | -- | * | ** | ** | * | * | ** |

** : Compatible

* : The change is a little/Almost compatible

-- : Not compatible



- : No corresponding specification

[Product Discontinuation and recommended replacement]

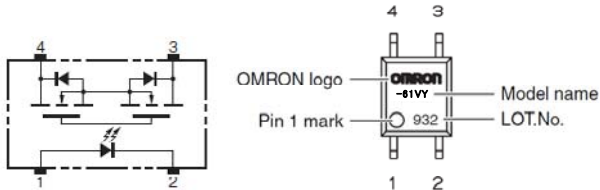
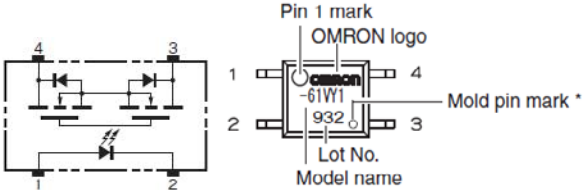
| Product discontinuation | Recommended replacement |
|-------------------------|-------------------------|
| G3VM-61VY | G3VM-61VY1 |
| G3VM-61VY(TR) | G3VM-61VY1(TR) |

* As for G3VM-61VY1/VY1(TR), product codes are going to be changed due to production transfer in October 2014. (Refer to Product News No. 2014004BE(ON))

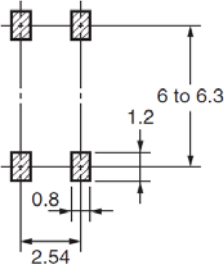
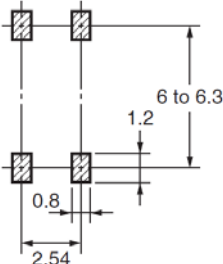
[Body color]

| Product discontinuation Model G3VM-61VY/VY(TR) | Recommendable replacement Model G3VM-61VY1/VY1(TR) |
|--|--|
| Ivory  | Black  |

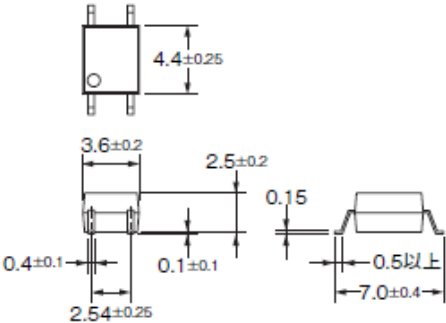
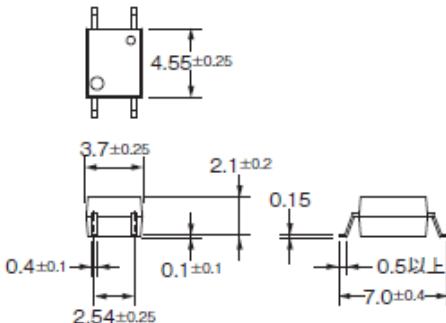
[Wire connection]

| <p>Product discontinuation Model G3VM-61VY/VY(TR)</p> | <p>Recommendable replacement Model G3VM-61VY1/VY1(TR)</p> |
|---|--|
| <p>Terminal Arrangement Internal Connections</p>  | <p>Terminal Arrangement Internal Connections</p>  <p>* The indentation in the corner diagonally opposite From the pin 1 mark is from a pin on the mold.</p> |

[Mounting dimensions]

| <p>Product discontinuation Model G3VM-61VY/VY(TR)</p> | <p>Recommendable replacement Model G3VM-61VY1/VY1(TR)</p> |
|---|---|
| <p>Mounting dimensions (TOP VIEW) Tolerance ± 0.1 mm</p>  | <p>Mounting dimensions (TOP VIEW) Tolerance ± 0.1 mm</p>  |

[Dimensions]

| <p>Product discontinuation Model G3VM-61VY/VY(TR)</p> | <p>Recommendable replacement Model G3VM-61VY1 /VY1(TR)</p> |
|--|---|
| <p>Package type: SOP4 Surfacingmounting Terminal</p>  | <p>Package type: SOP4 Surfacingmounting Terminal</p>  |

[Characteristics] / [Operation ratings]

| Item | | | | Product discontinuation Model G3VM-61VY/VY(TR) | | | Recommendable replacement Model G3VM-61VY1/VY1(TR) | | |
|--|--|------------|------------|---|------|------|--|------|------|
| Absolute maximum Rating | | | | Rating | | | Rating | | |
| Input | LED forward current | I_F | mA | 50 | | | 30 | | |
| | Repetitive peak LED | I_{FP} | A | 1 | | | 1 | | |
| | LED reverse voltage | V_R | V | 5 | | | 5 | | |
| Output | Load Voltage(AC/DC) | V_{OFF} | V | 60 | | | 60 | | |
| | Continuous load current | I_O | mA | 70 | | | 100 | | |
| Dielectric strength between input and output | | V_{I-O} | Vrms | 3750 | | | 3750 | | |
| Operating Temperature | | T_a | °C | -40~+85 | | | -40~+85 | | |
| Storage Temperature | | T_{stg} | °C | -55~+125 | | | -55~+125 | | |
| Electrical Characteristics | | | | Min. | Typ. | Max. | Min. | Typ. | Max. |
| Input | LED Forward voltage | V_F | V | 1.0 | 1.15 | 1.3 | 1.1 | 1.27 | 1.4 |
| | Trigger LED Forward Current | I_{FT} | mA | - | 0.6 | 2 | - | 0.2 | 1 |
| Output | Maximum resistance with output ON | R_{ON} | Ω | - | 25 | 50 | - | 25 | 50 |
| | Current leakage when the relay is open | I_{LEAK} | nA | - | 1 | 1000 | - | - | 1000 |
| Capacity between I/O terminals | | C_{I-O} | pF | - | 0.4 | - | - | 0.8 | - |
| Insulation resistance between I/O terminals | | R_{I-O} | M Ω | 1000 | - | - | 1000 | - | - |
| Turn-ON time | | t_{ON} | ms | - | 1 | 5 | - | 1 | 5 |
| Turn-OFF time | | t_{OFF} | ms | - | 0.5 | 5 | - | 1 | 5 |

[Operation methods]

Operation methods are fully compatible.

Specifications and prices in this product news are as of the issue date and are subject to change without notice. Only main changes in specifications are described in this document. Please be sure to read the relevant catalogs, datasheets, product specifications, instructions, and manuals for precautions and necessary information when using products.